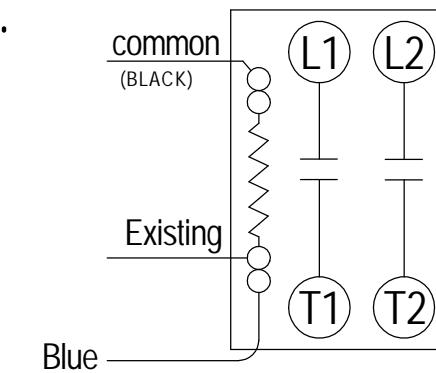


Attention! - A Bard constant-cfm blower kit has been installed in this unit. These changes were made after installation of the unit and are **NOT** shown on the unit wiring diagram. Please review this diagram before proceeding.

- 1 Unused wires. Ends should be capped with a wire nut.
- 2 IF AN ELECTRIC HEATER PACKAGE IS INSTALLED IN THIS UNIT - Blue wire is connected to the (+) side of the heater contactor coil.



IF NO HEATER PACKAGE IS INSTALLED - Blue wire will not be present in the unit

- 3 Blower Airflow Select Wires:
-Connect Gray wire to R in W36, W48 or W60 Units
-Tape off Gray wire for ALL OTHER UNITS
- 4 Single/Dual Speed Operation
-For single-speed operation, connect as shown
- For Dual (full/vent) speed operation Move Orange/white from G to Y Land Orange on G (Some units denote part/full load using Y1/Y2, in this case land Orange/White on Y1)

* 9 was high voltage blower relay. Replaced with pilot-duty low voltage relay - part #8201-130*