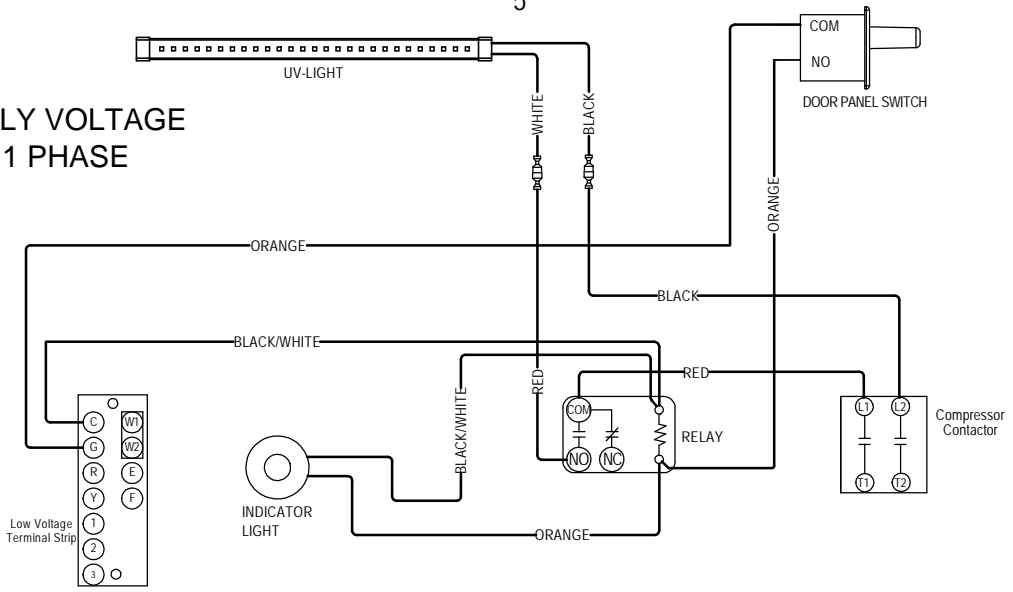
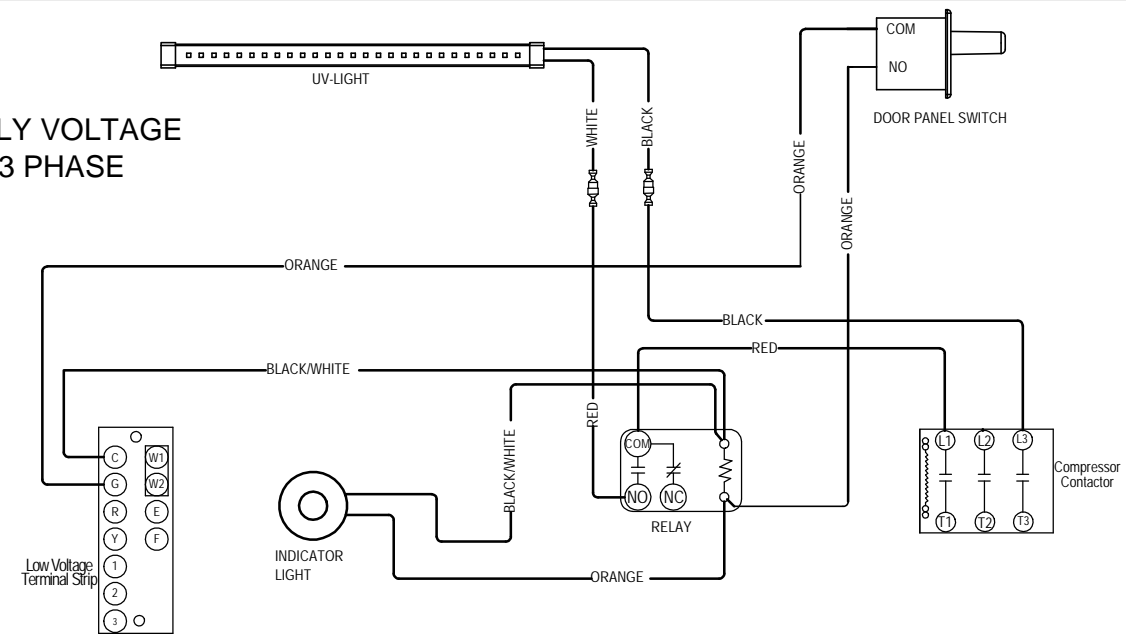


5"

UNIT SUPPLY VOLTAGE 230 VOLT - 1 PHASE



UNIT SUPPLY VOLTAGE 230 VOLT - 3 PHASE



6 1/4"

UNIT SUPPLY VOLTAGE 460 VOLT - 3 PHASE (UNITS WITH KVA STEPDOWN TRANSFORMER AND TERMINAL BLOCK IN CONTROL PANEL.)

