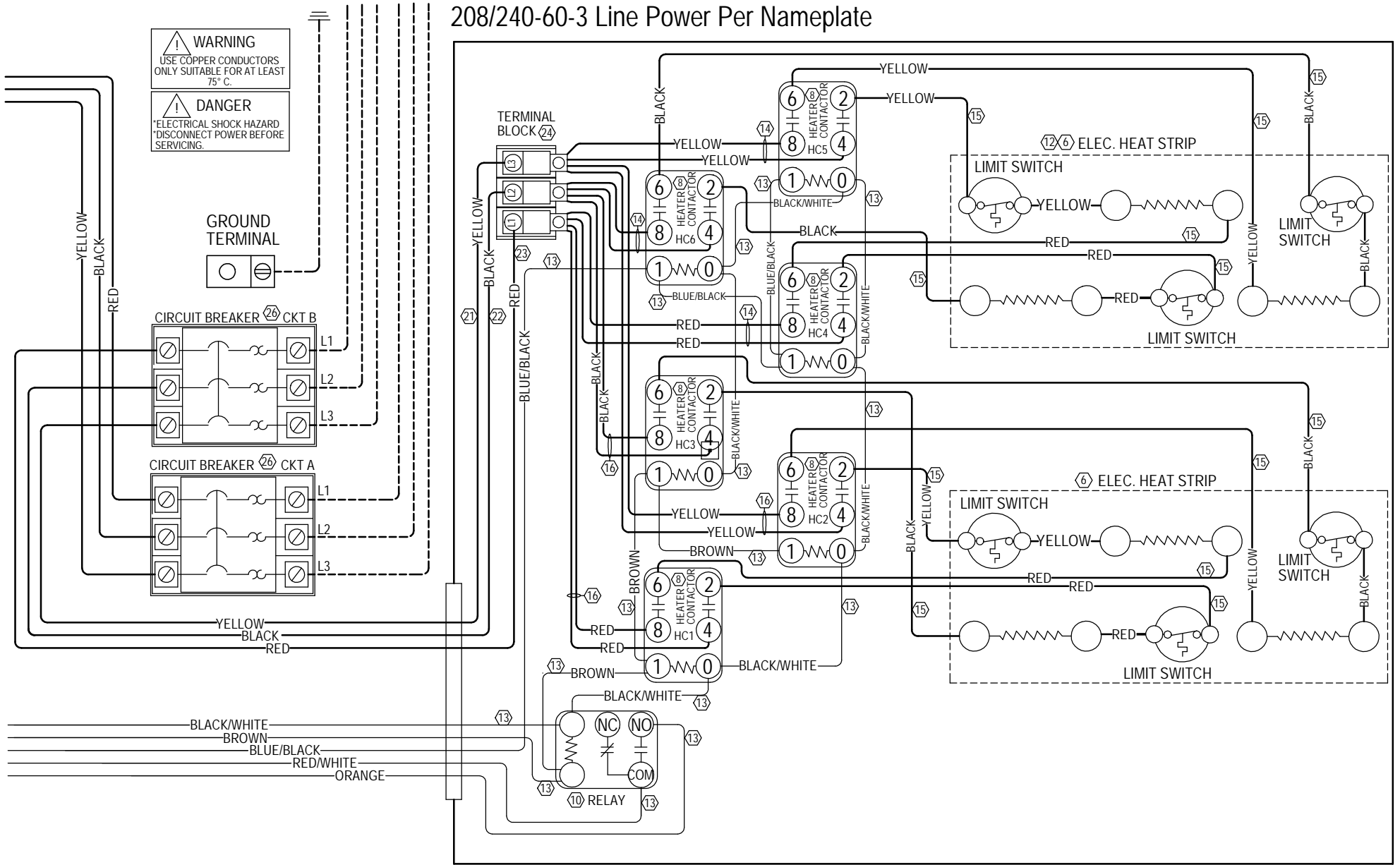


208/240-60-3 Line Power Per Nameplate



WARNING
USE COPPER CONDUCTORS
ONLY SUITABLE FOR AT LEAST
75° C.

DANGER
ELECTRICAL SHOCK HAZARD
DISCONNECT POWER BEFORE
SERVICING.

GROUND
TERMINAL

CIRCUIT BREAKER (26) CKT B

CIRCUIT BREAKER (26) CKT A

- 2 THIS WIRE IS TAPED-OFF IN LOW VOLTAGE TERMINAL BOX. SEE LOW VOLTAGE WIRING SECTION IN INSTALLATION MANUAL.
- 1 FOR 208 VOLT OPERATION, MOVE THIS RED WIRE TO 208 VOLT TRANSFORMER TAP

(99) Wire Identification numbers for Bard use only.

	Factory	Field	Optional
High Voltage		---	---
Low Voltage		---	---