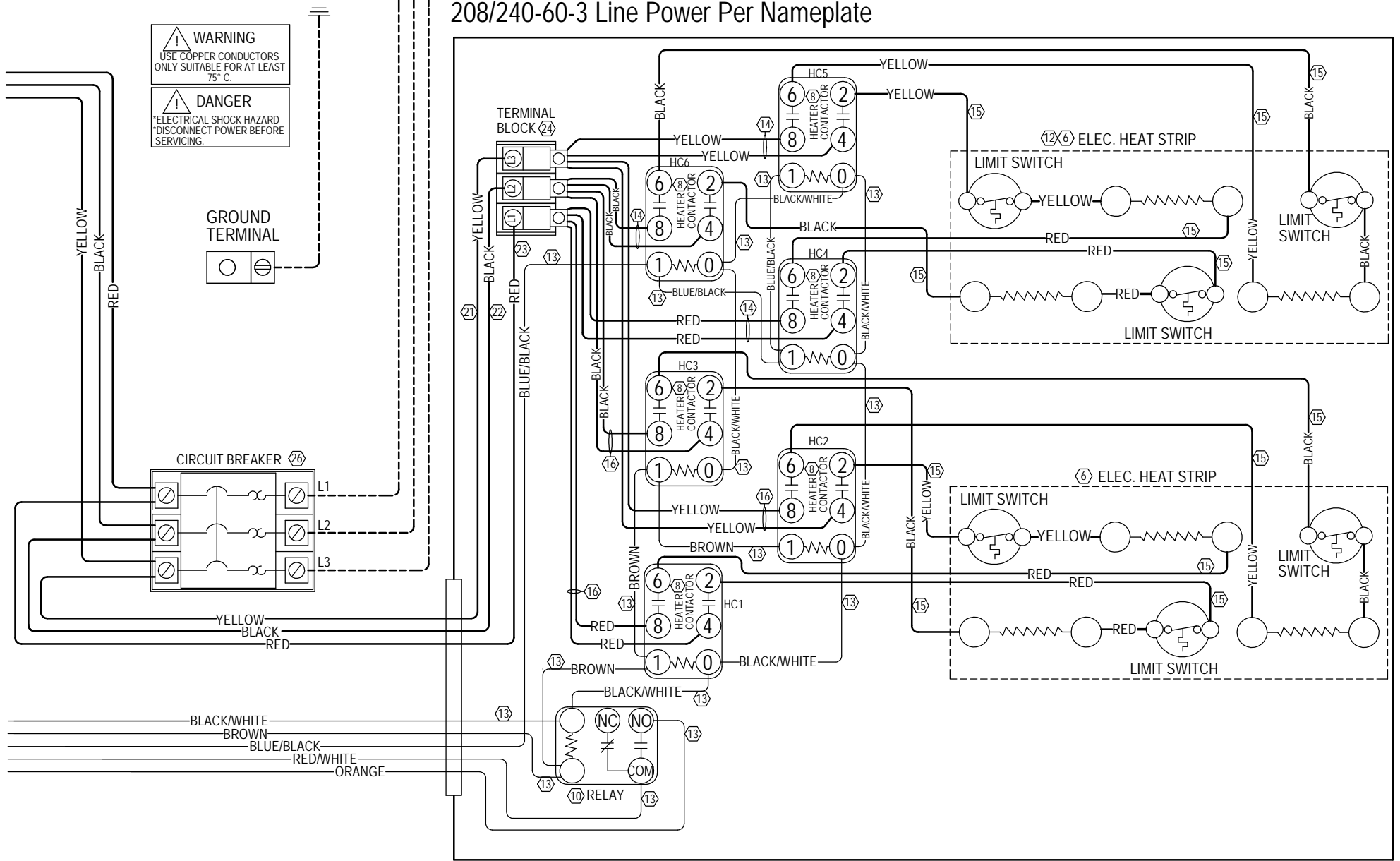
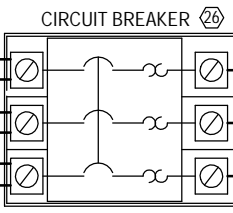


# 208/240-60-3 Line Power Per Nameplate



**WARNING**  
USE COPPER CONDUCTORS  
ONLY SUITABLE FOR AT LEAST  
75° C.

**DANGER**  
ELECTRICAL SHOCK HAZARD  
DISCONNECT POWER BEFORE  
SERVICING.



2 THIS WIRE IS TAPED-OFF IN  
LOW VOLTAGE TERMINAL BOX.  
SEE LOW VOLTAGE WIRING SECTION  
IN INSTALLATION MANUAL.

1 FOR 208 VOLT OPERATION,  
MOVE THIS RED WIRE TO  
208 VOLT TRANSFORMER TAP

(99) Wire Identification numbers  
for Bard use only.

	Factory	Field	Optional
High Voltage			
Low Voltage			