

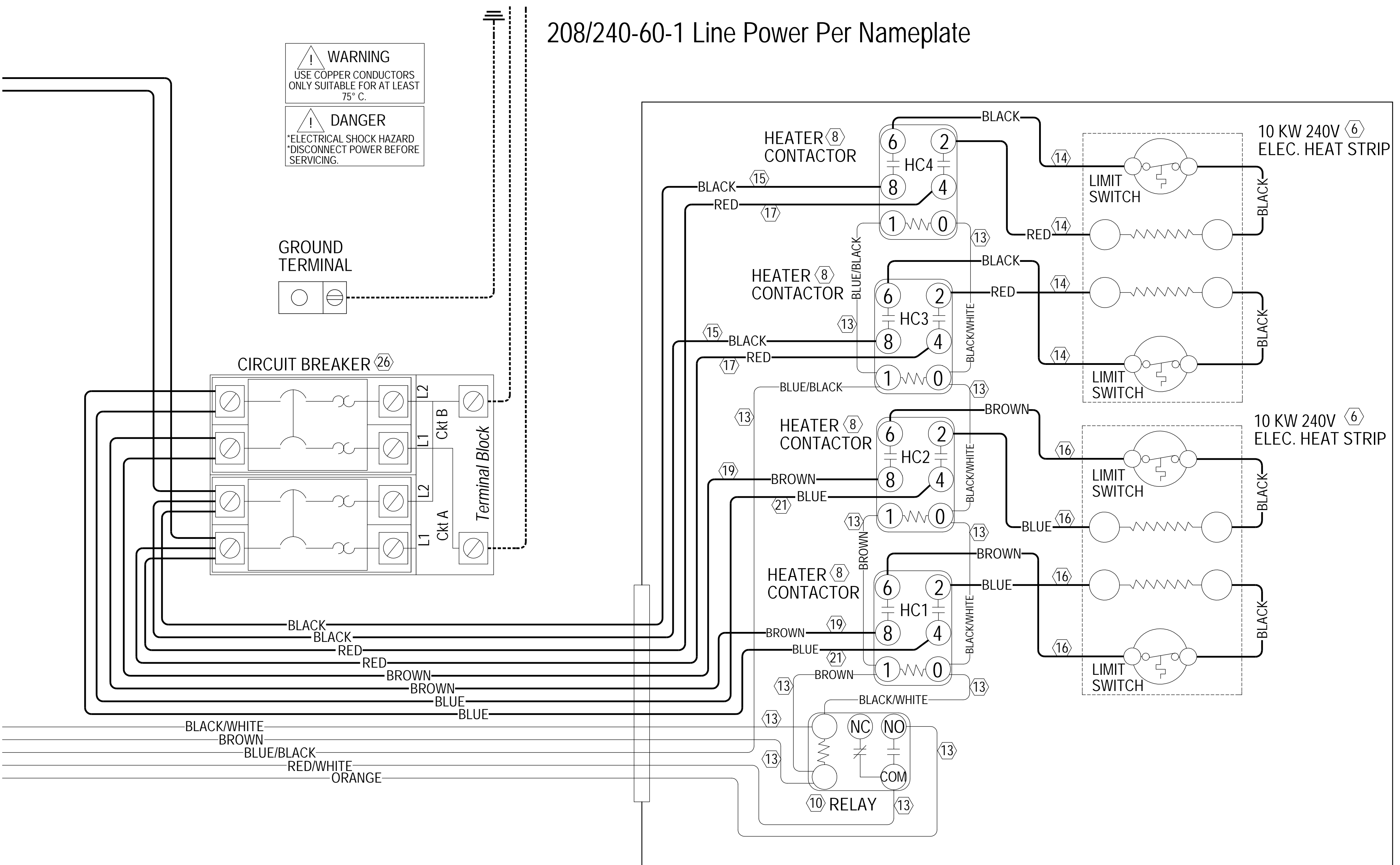
208/240-60-1 Line Power Per Nameplate

WARNING
USE COPPER CONDUCTORS
ONLY SUITABLE FOR AT LEAST
75° C.

DANGER
*ELECTRICAL SHOCK HAZARD
*DISCONNECT POWER BEFORE
SERVICING.

GROUND
TERMINAL

CIRCUIT BREAKER 26



- 2 THIS WIRE IS TAPED-OFF IN LOW VOLTAGE TERMINAL BOX. SEE LOW VOLTAGE WIRING SECTION IN INSTALLATION MANUAL.
- 1 FOR 208 VOLT OPERATION, MOVE THIS RED WIRE TO 208 VOLT TRANSFORMER TAP

99 Wire Identification numbers for Bard use only.

	Factory	Field	Optional
High Voltage	_____	_____	_____
Low Voltage	_____	_____	_____