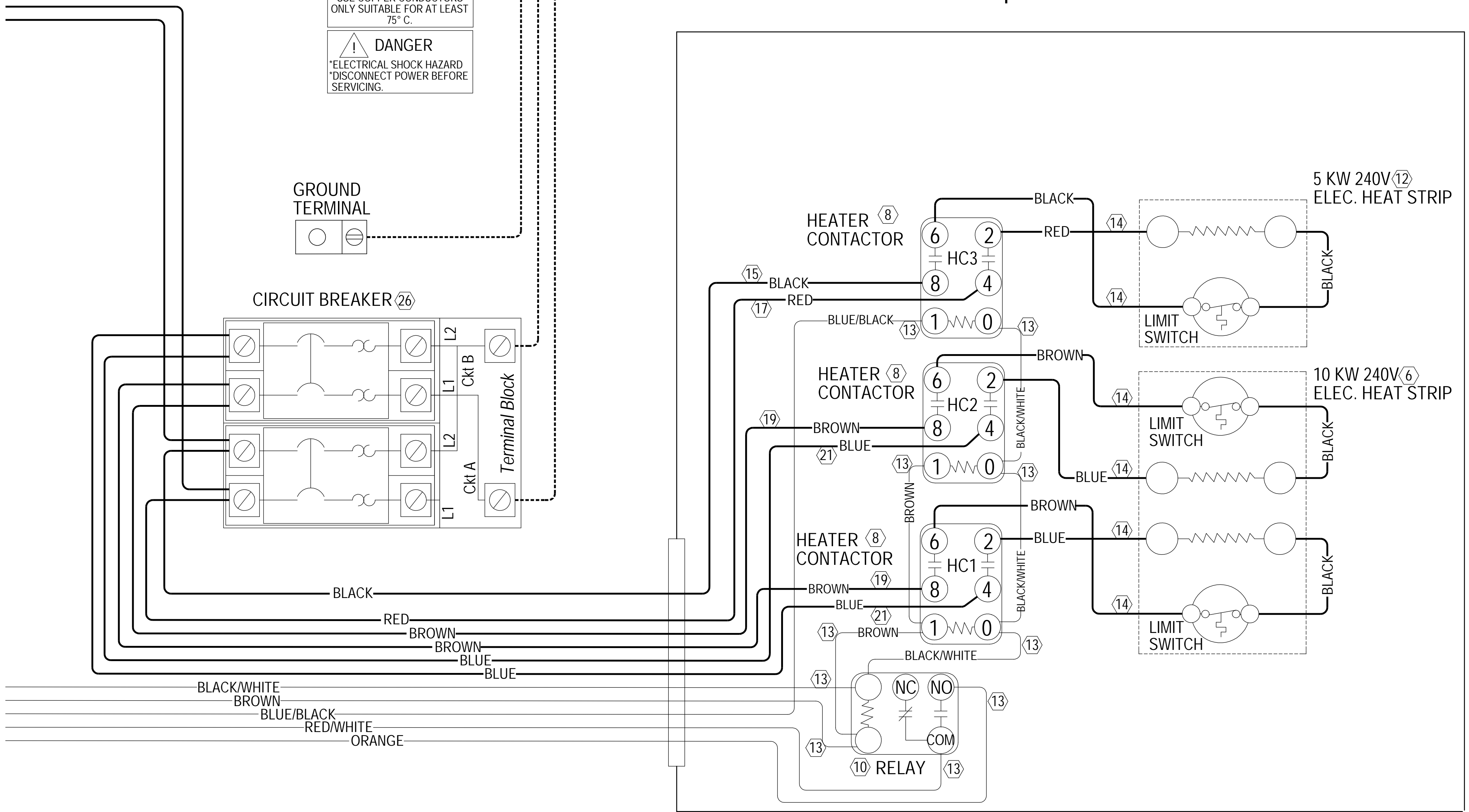


WARNING
 USE COPPER CONDUCTORS
 ONLY SUITABLE FOR AT LEAST
 75° C.

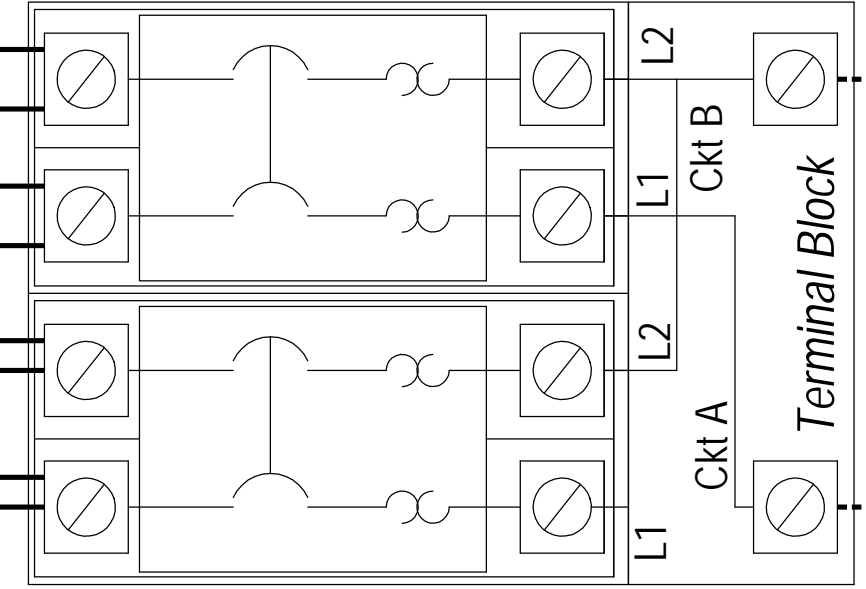
DANGER
 *ELECTRICAL SHOCK HAZARD
 *DISCONNECT POWER BEFORE
 SERVICING.

208/240-60-1 Line Power Per Nameplate



GROUND
 TERMINAL

CIRCUIT BREAKER (26)



BLACK/WHITE
 BROWN
 BLUE/BLACK
 RED/WHITE
 ORANGE

1 FOR 208 VOLT OPERATION,
 MOVE THIS RED WIRE TO
 208 VOLT TRANSFORMER TAP

2 THIS WIRE IS TAPED-OFF IN
 LOW VOLTAGE TERMINAL BOX.
 SEE LOW VOLTAGE WIRING SECTION
 IN INSTALLATION MANUAL.

99 Wire Identification numbers
 for Bard use only.

	Factory	Field	Optional
High Voltage	————	-----	-----
Low Voltage	————	-----	-----

4203-104 D