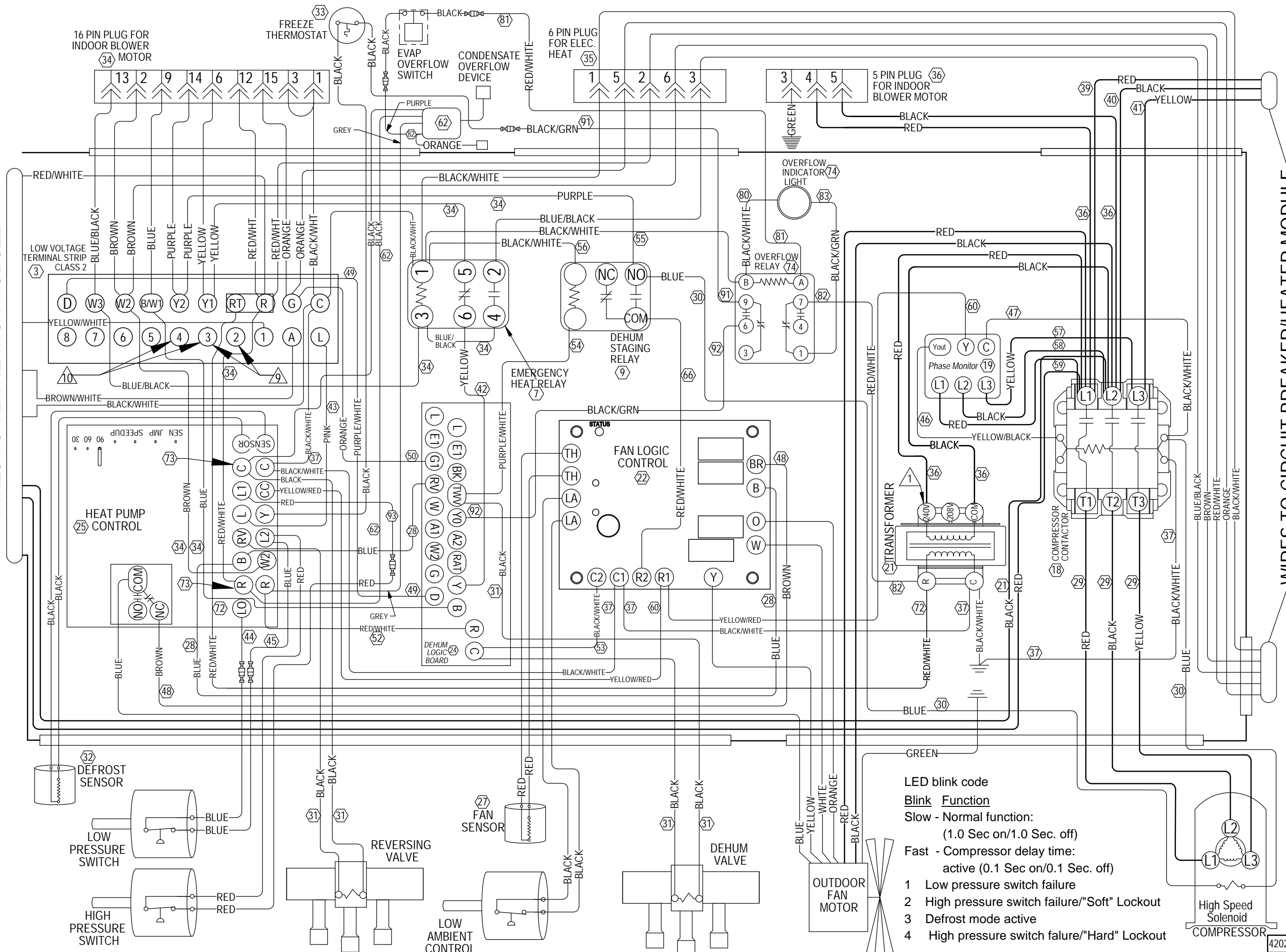


WIRES TO VENTILATION MODULE

WIRES TO CIRCUIT BREAKER/HEATER MODULE



LED blink code

Blink Function

Slow - Normal function:
(1.0 Sec on/1.0 Sec. off)

Fast - Compressor delay time:
active (0.1 Sec on/0.1 Sec. off)

- 1 Low pressure switch failure
- 2 High pressure switch failure/"Soft" Lockout
- 3 Defrost mode active
- 4 High pressure switch failure/"Hard" Lockout

