

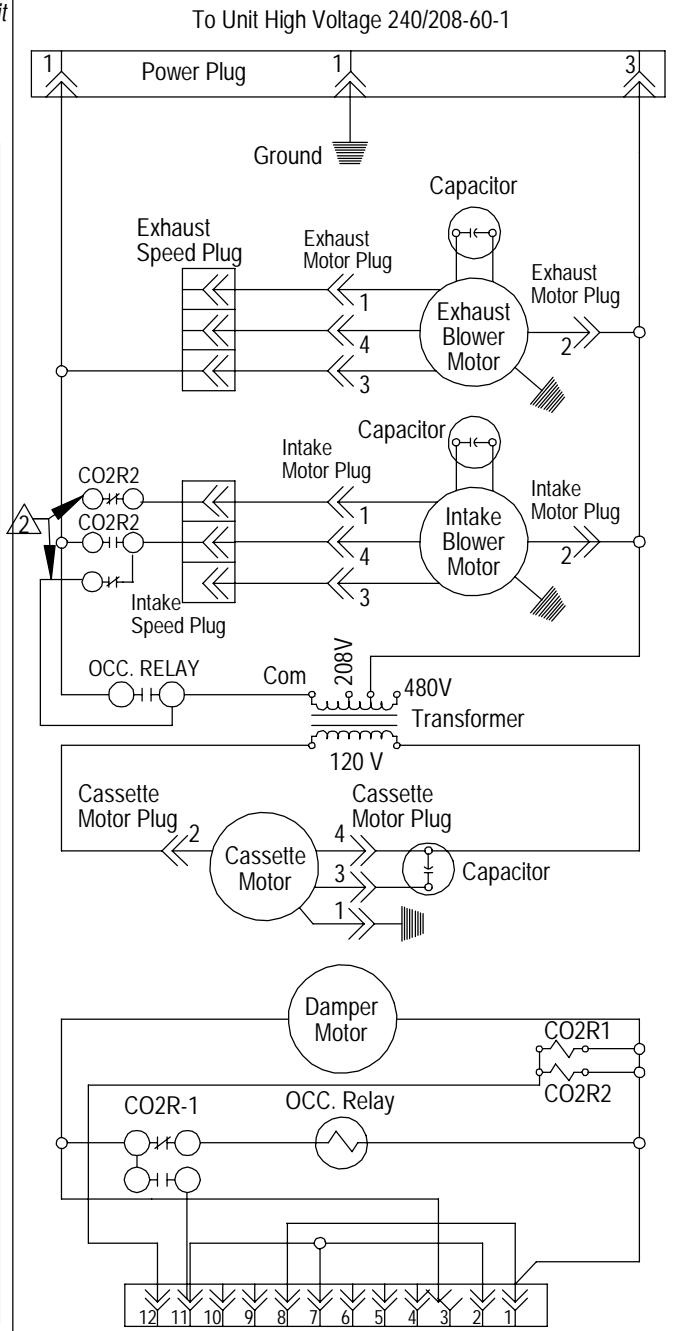
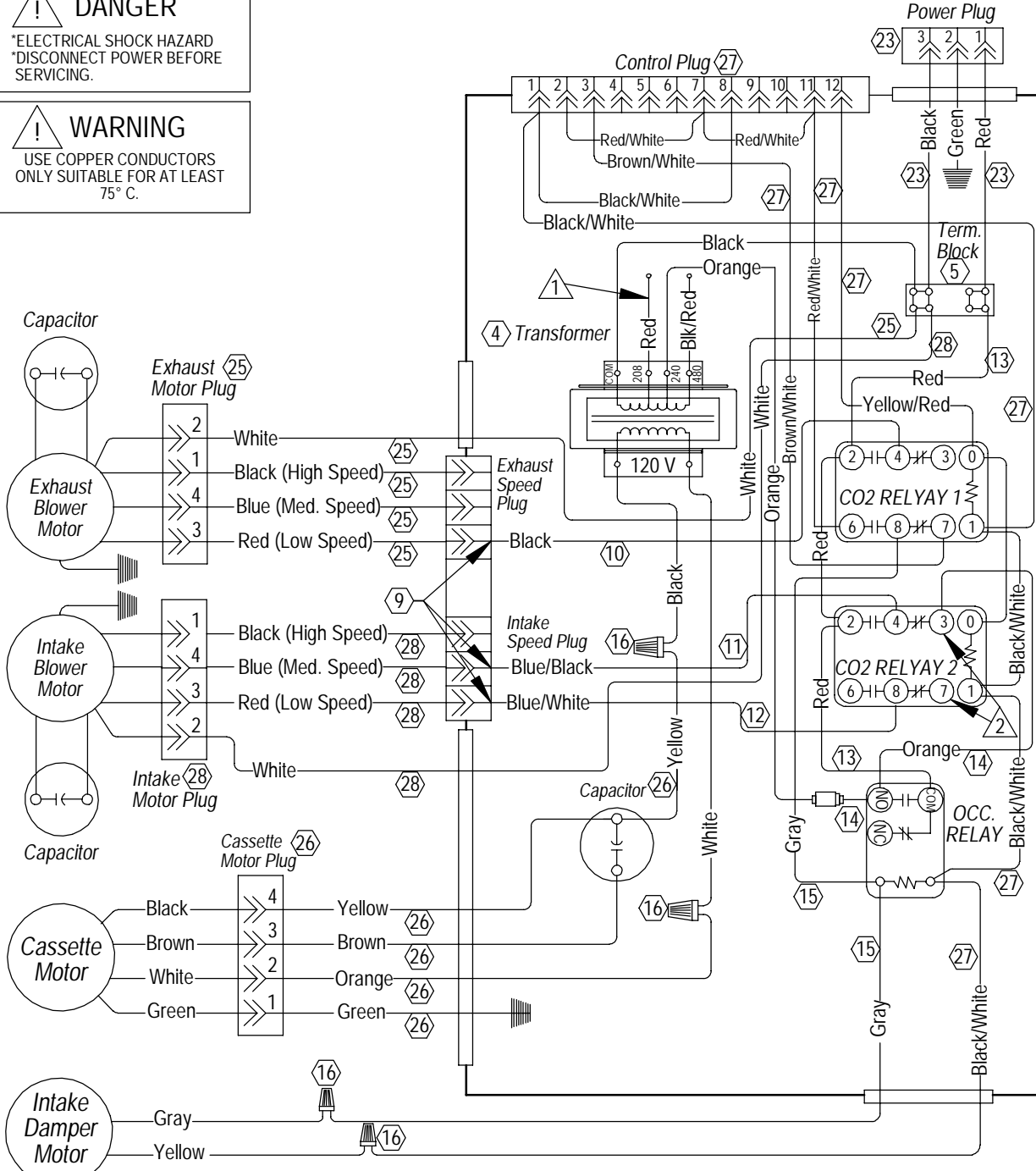
# ⚠ DANGER

\*ELECTRICAL SHOCK HAZARD  
\*DISCONNECT POWER BEFORE  
SERVICING.

# ⚠ WARNING

USE COPPER CONDUCTORS  
ONLY SUITABLE FOR AT LEAST  
75° C.

Note: See Control Wiring Section of Installation Inst. for Wiring Energy Recovery to Unit



Note: See Control Wiring Section of Installation Inst. for Wiring Energy Recovery to Unit

Component	Capacitor
Blower Motor	4/370
Cassette Motor	3/250

⚠ DISCONNECT ORANGE WIRE FROM TERMINAL BLOCK AND CONNECT RED WIRE FOR 208V OPERATION

⚠ MOVE WIRE FROM TERM #3 TO TERM #7 FOR LOW SPEED CONSTANT OCCUPIED VENTILATION