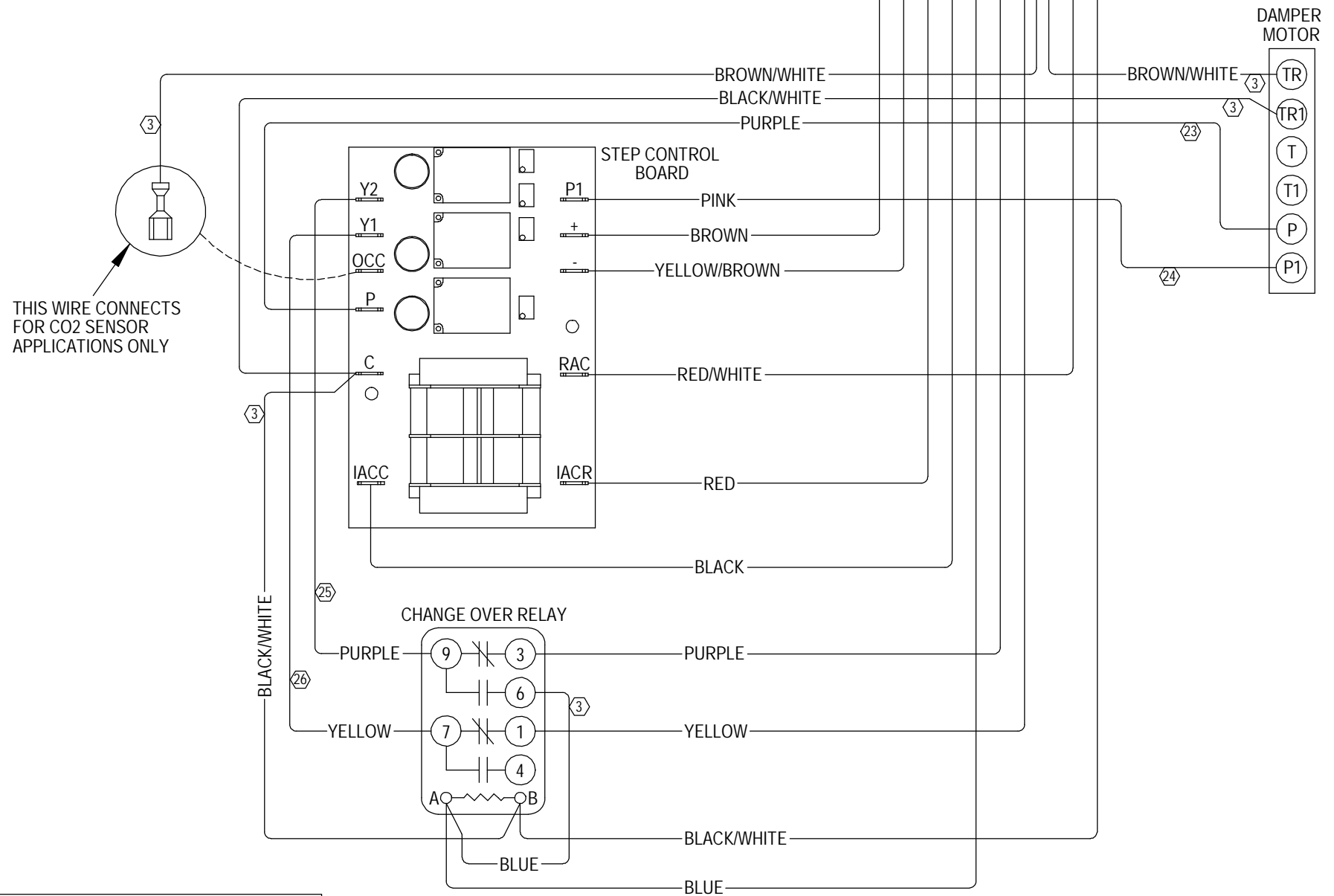


TO SET CRV AIRFLOW FOR BLOWER ONLY, JUMPER R,G,A. ADJUST POT R2
 TO SET CRV AIRFLOW FOR 1ST STAGE COOLING, JUMPER R,G,Y1,A. ADJUST POT R1
 TO SET CRV AIRFLOW FOR 2ND STAGE COOLING, JUMPER R,G,Y1,Y2,A. ADJUST POT R2



THIS WIRE CONNECTS FOR CO2 SENSOR APPLICATIONS ONLY

----- REQUIRED FIELD WIRING FOR OPTIONAL CO2 CONTROL