

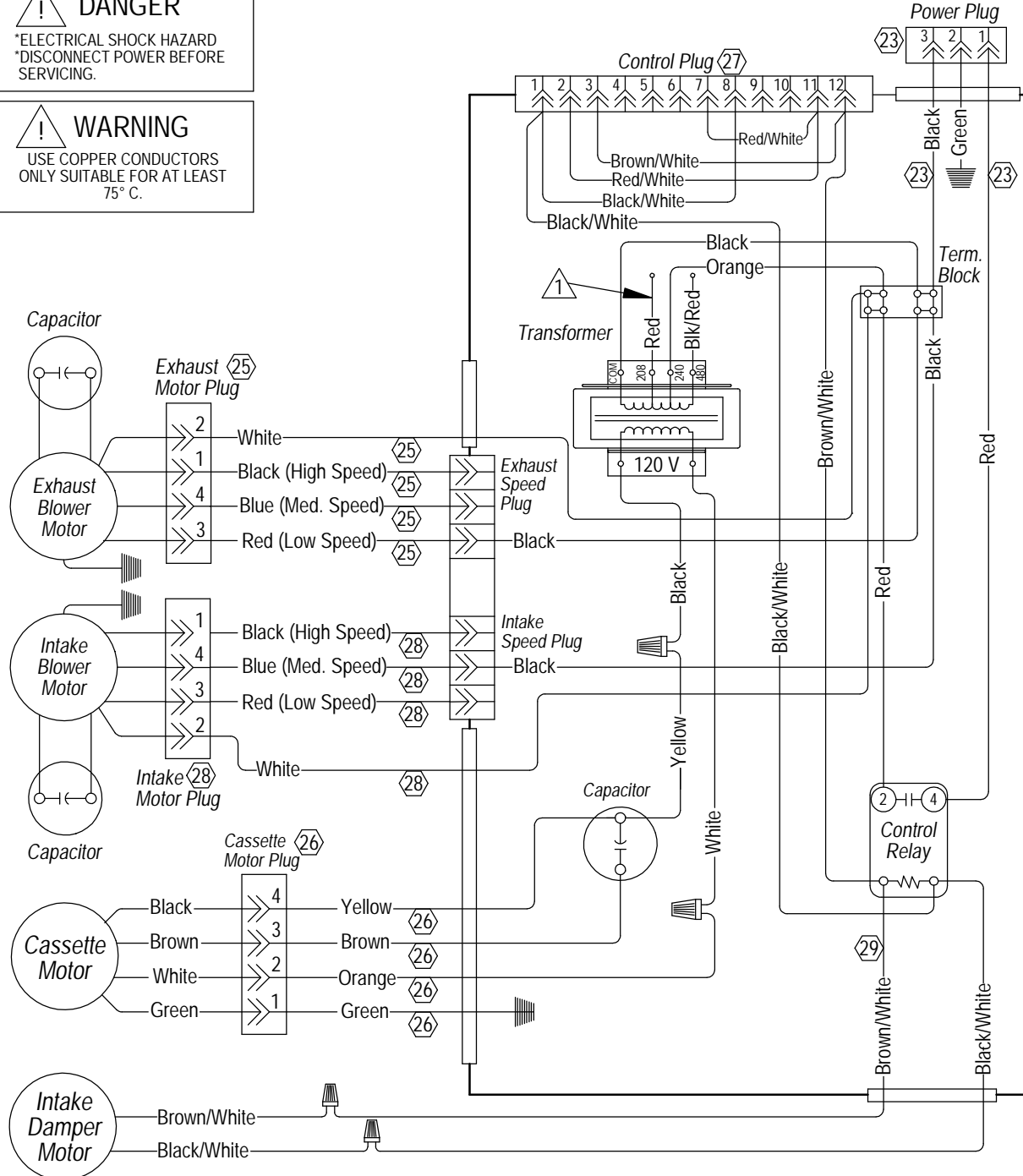
# ⚠ DANGER

\*ELECTRICAL SHOCK HAZARD  
\*DISCONNECT POWER BEFORE  
SERVICING.

# ⚠ WARNING

USE COPPER CONDUCTORS  
ONLY SUITABLE FOR AT LEAST  
75° C.

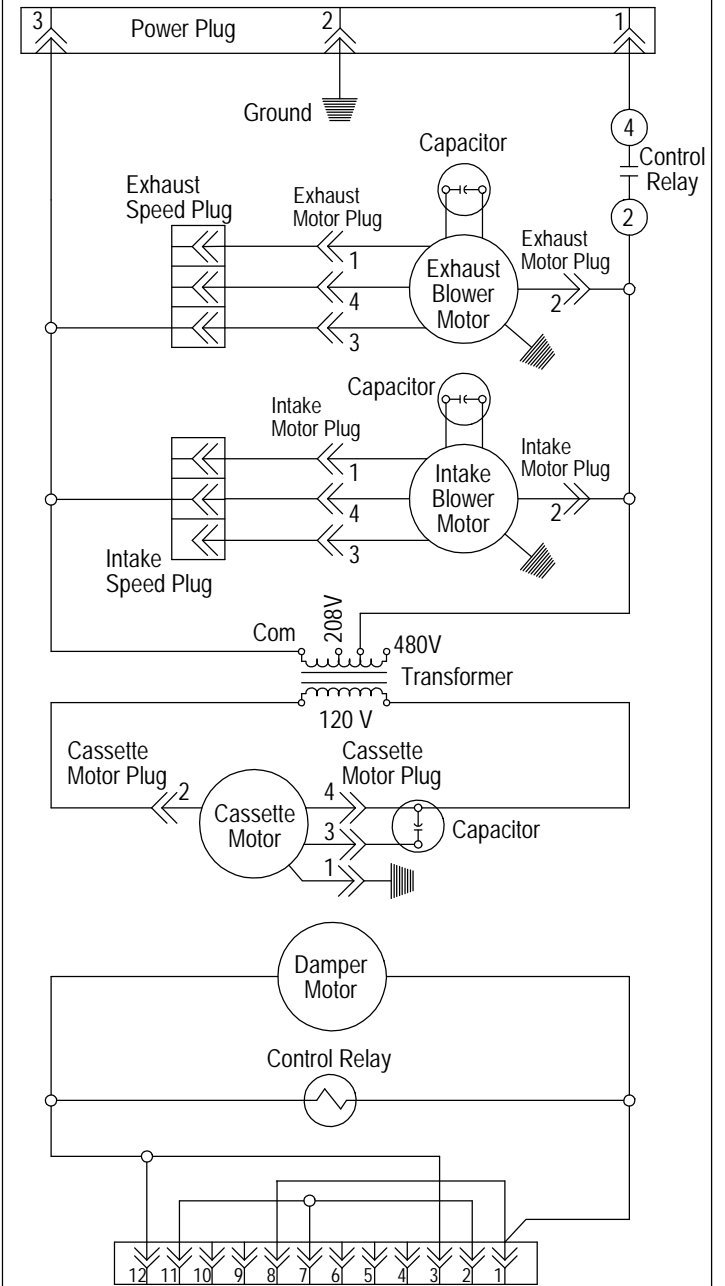
Note: See Control Wiring Section of Installation Inst. for Wiring Energy Recovery to Unit



Component	Capacitor
Blower Motor	4/370
Cassette Motor	3/250

⚠ DISCONNECT ORANGE WIRE FROM  
TERMINAL BLOCK AND CONNECT RED  
WIRE FOR 208V OPERATION

To Unit High Voltage 240/208-60-1



Note: See Control Wiring Section of Installation Inst.  
for Wiring Energy Recovery to Unit