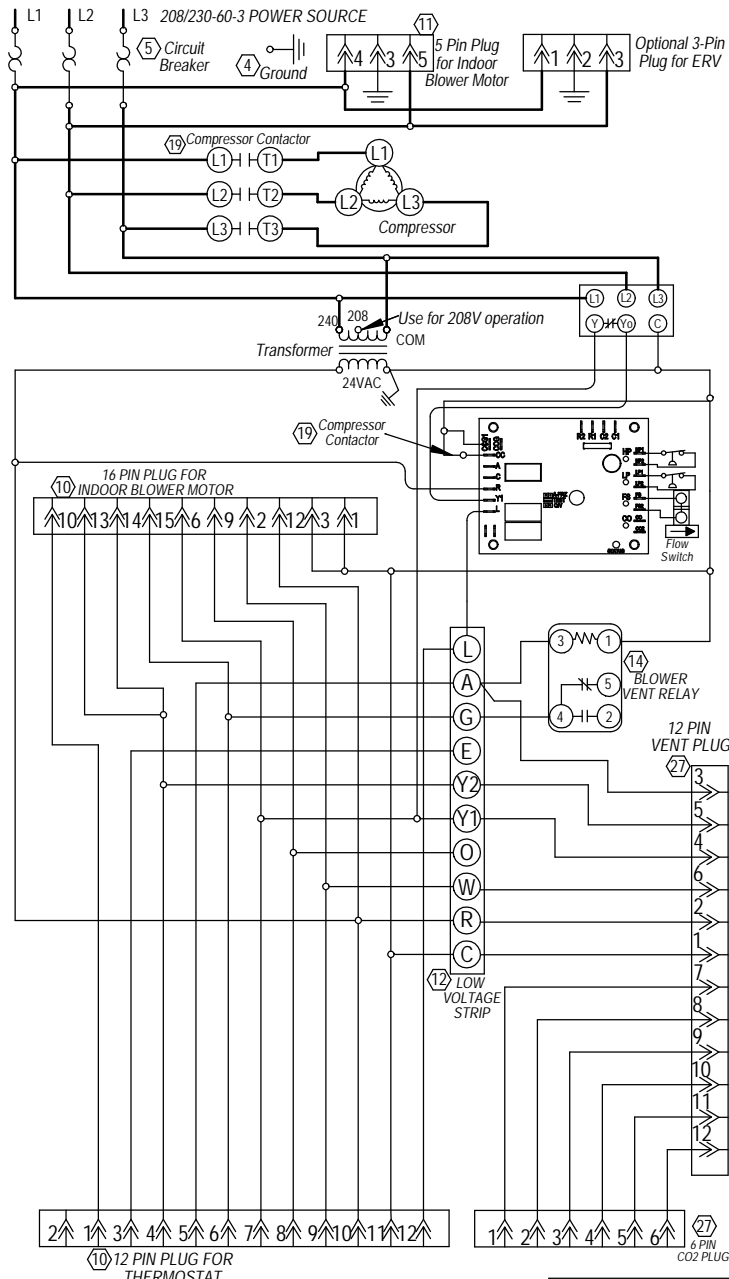


230/208 VOLT PACKAGE UNIT DIAGRAM

- 1 FOR ANTIFREEZE LOOP APPLICATIONS, CONNECT THE LOW PRESSURE SWITCH WITH YELLOW LEADS IN PLACE OF THE LOW PRESSURE SWITCH WITH BLUE LEADS. ONE LEAD WILL CONNECT TO BROWN LEAD FROM THE FLOW SWITCH, AND THE OTHER WILL CONNECT TO THE YELLOW LEAD COMING FROM THE LPC TERMINAL OF THE COMPRESSOR MODULE.
- 2 FOR 208V OPERATION, MOVE THIS RED WIRE TO 208V TRANSFORMER TAP
- 3 REMOVE WIRE FROM TERMINAL Y2 AND TAPE OFF WHEN LOWER FULL LOAD CFM DESIRED



⚠ DANGER
ELECTRICAL SHOCK HAZARD
DISCONNECT POWER BEFORE SERVICING.

99 Wire Identification numbers for Bard use only.

⚠ WARNING
USE COPPER CONDUCTORS ONLY SUITABLE FOR AT LEAST 75° C.

	Factory	Field	Optional
High Voltage			
Low Voltage			

4113-200 G