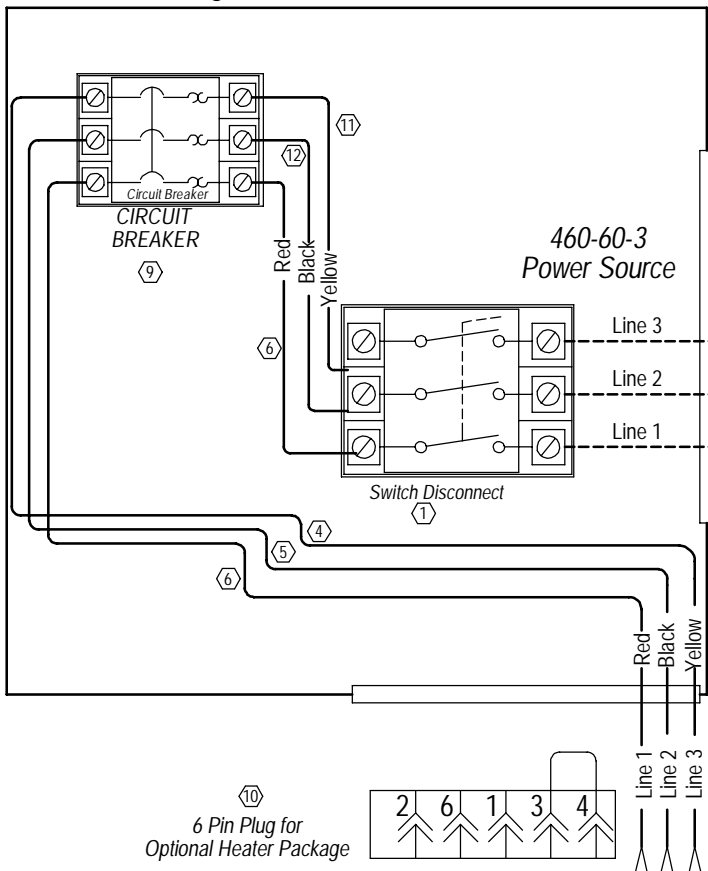


**WARNING**  
 USE COPPER CONDUCTORS  
 ONLY SUITABLE FOR AT LEAST  
 75° C.

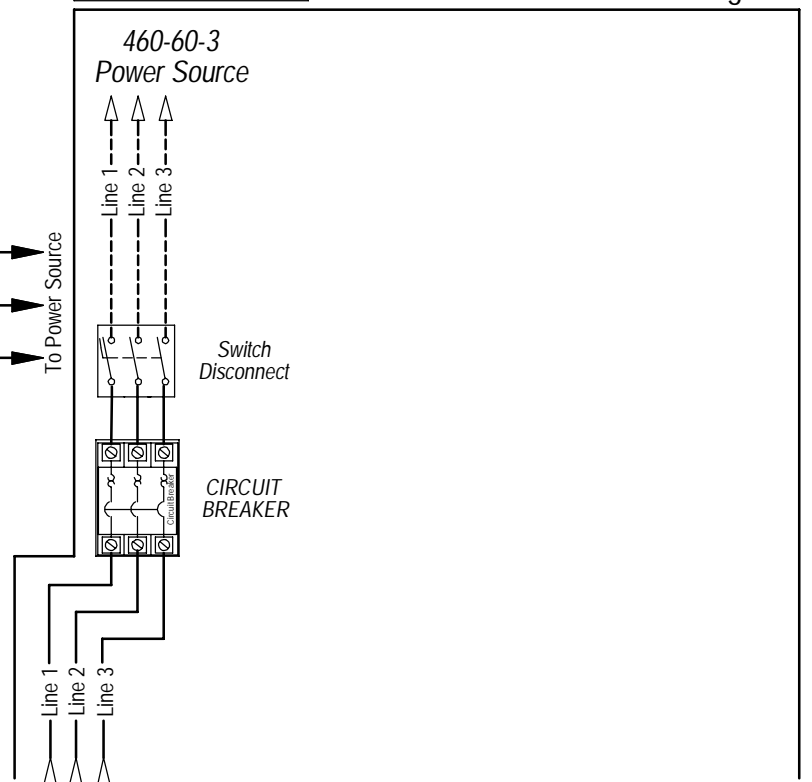
**DANGER**  
 \*ELECTRICAL SHOCK HAZARD  
 \*DISCONNECT POWER BEFORE  
 SERVICING.

4112-304  
 Heater Package  
 Assembly

Standard Diagram



Ladder Diagram



10  
 6 Pin Plug for  
 Optional Heater Package