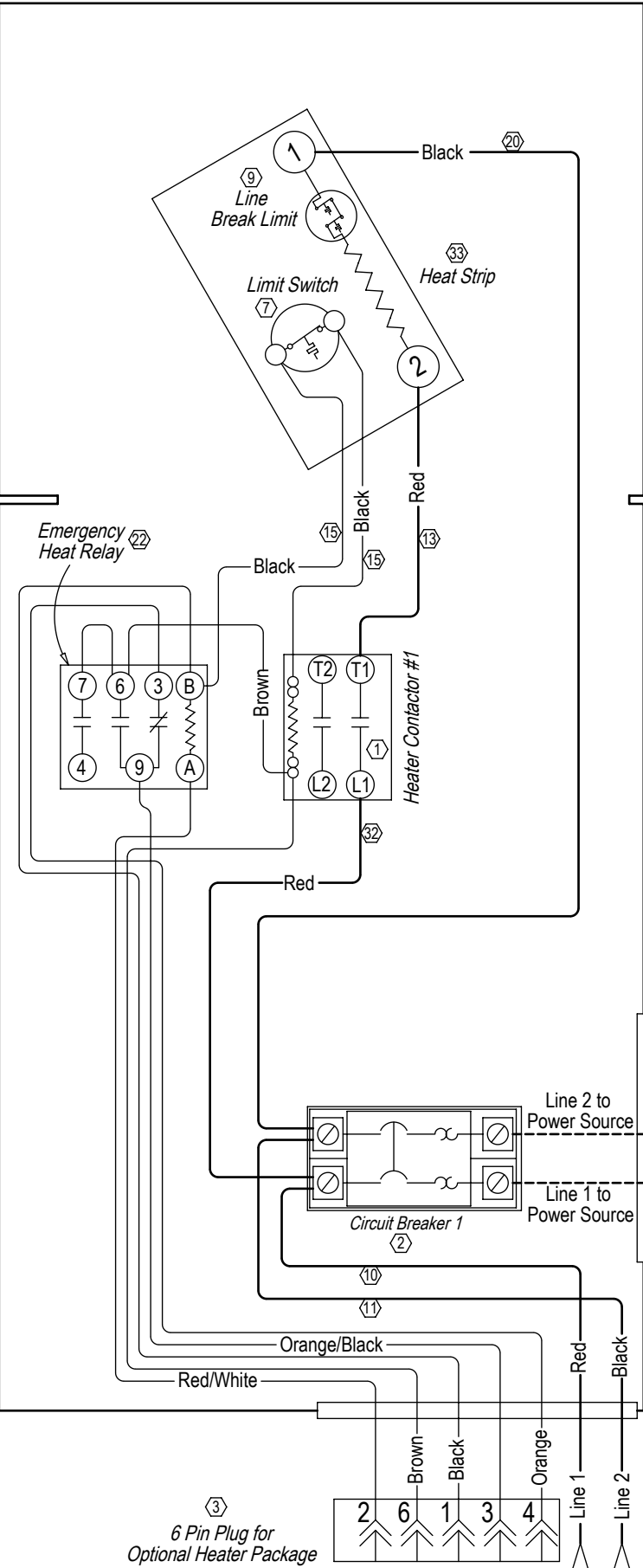


# Standard Diagram



**WARNING**  
 USE COPPER CONDUCTORS  
 ONLY SUITABLE FOR AT LEAST  
 75° C.

**DANGER**  
 \*ELECTRICAL SHOCK HAZARD  
 \*DISCONNECT POWER BEFORE  
 SERVICING.

**4112-102 A**  
 Heater Package  
 Assembly

# Ladder Diagram

