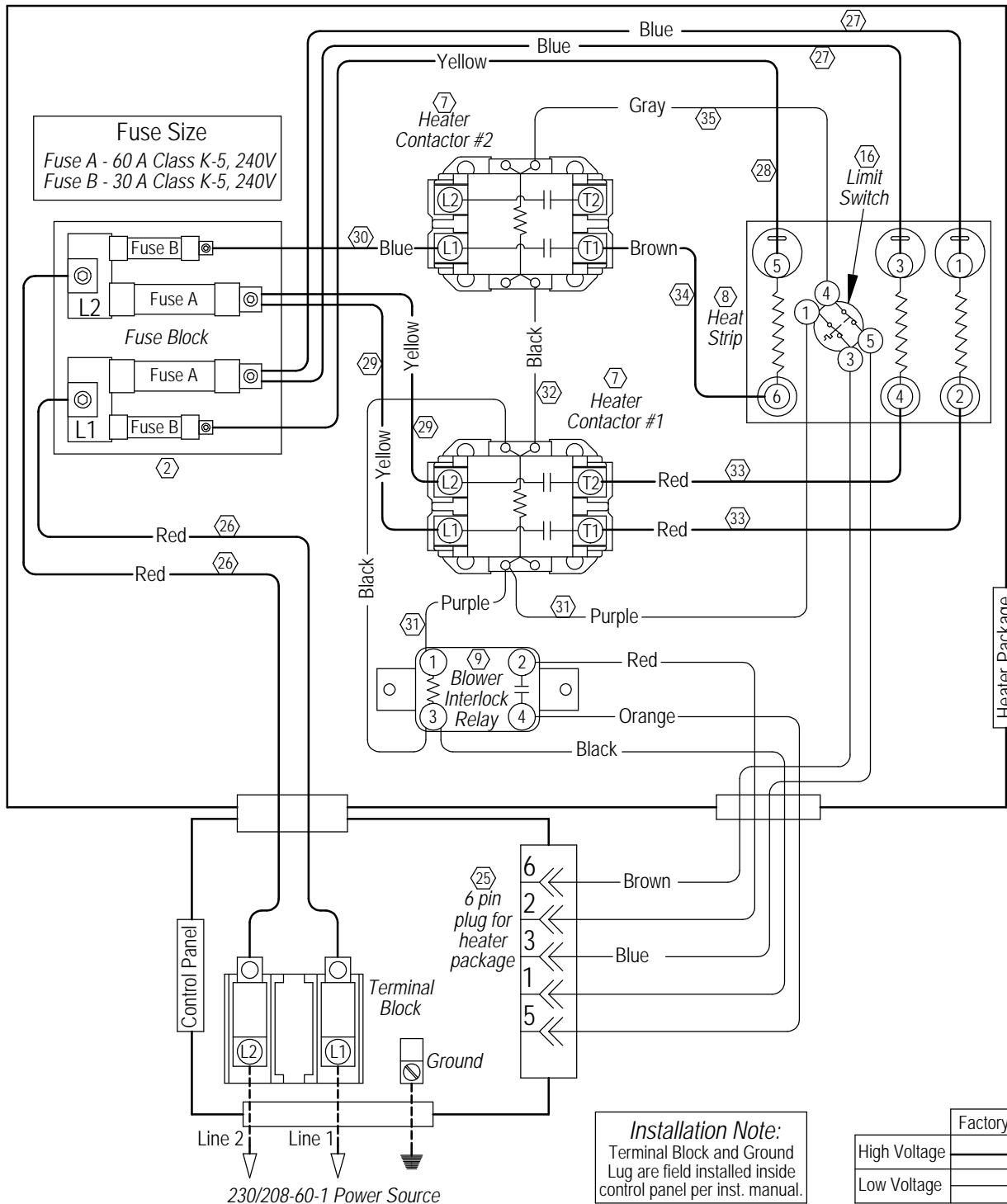


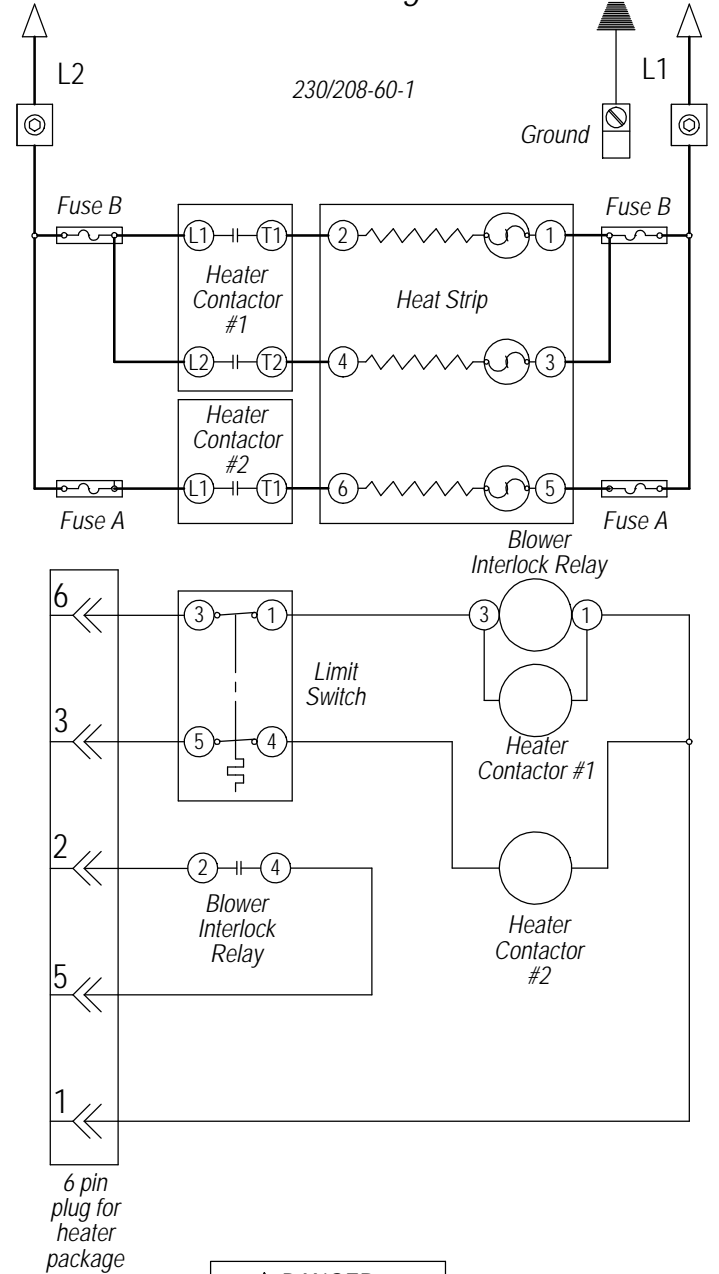
# Diagram for 230/208-60-1 Heater Package



**Fuse Size**  
 Fuse A - 60 A Class K-5, 240V  
 Fuse B - 30 A Class K-5, 240V

**Installation Note:**  
 Terminal Block and Ground Lug are field installed inside control panel per inst. manual.

# Ladder Diagram



	Factory	Field	Optional
High Voltage		---	---
Low Voltage		---	---

**⚠ DANGER**  
 \*ELECTRICAL SHOCK HAZARD  
 \*DISCONNECT POWER BEFORE SERVICING.

**⚠ WARNING**  
 USE COPPER CONDUCTORS  
 ONLY SUITABLE FOR AT LEAST 75° C.



4111-102