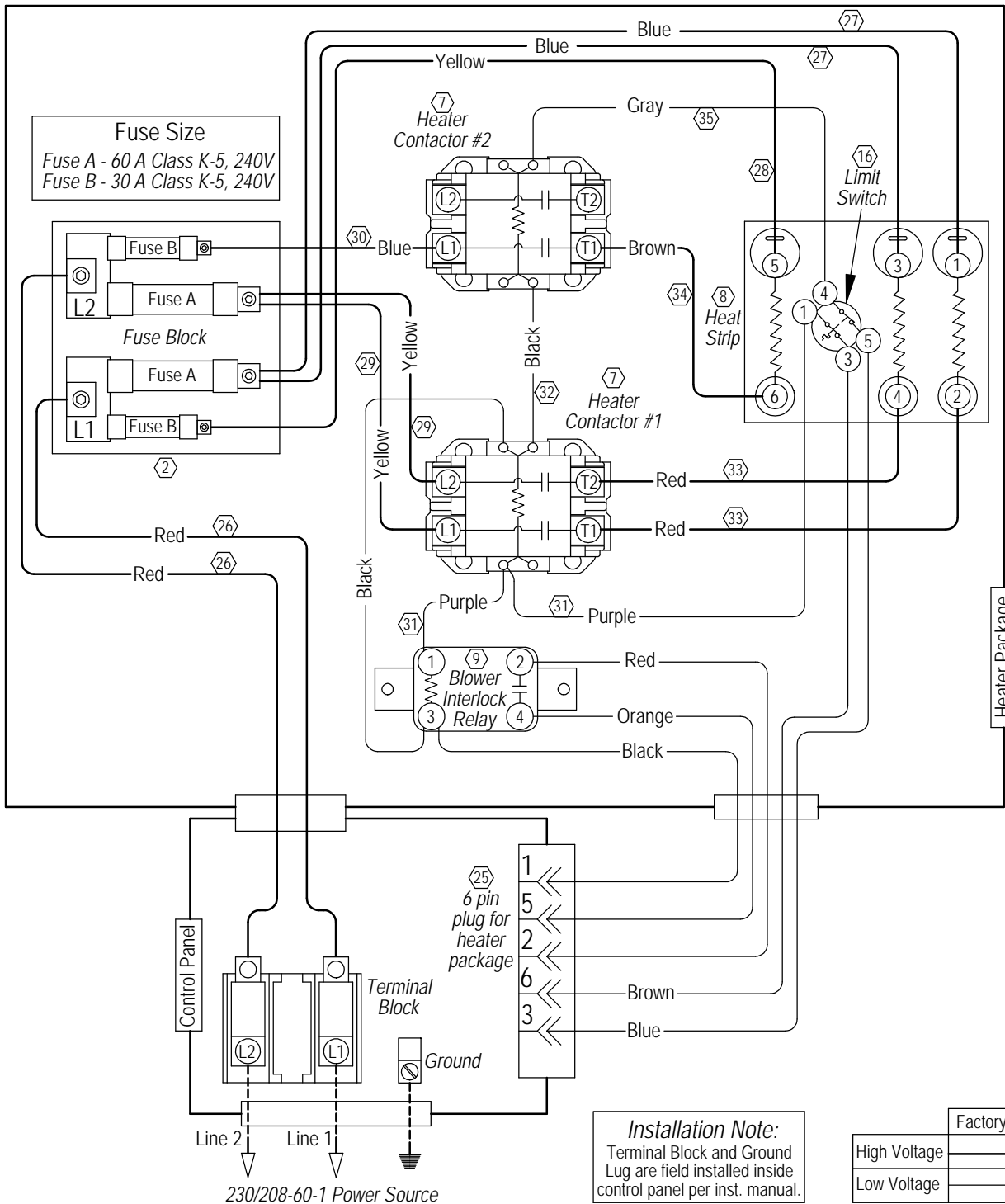


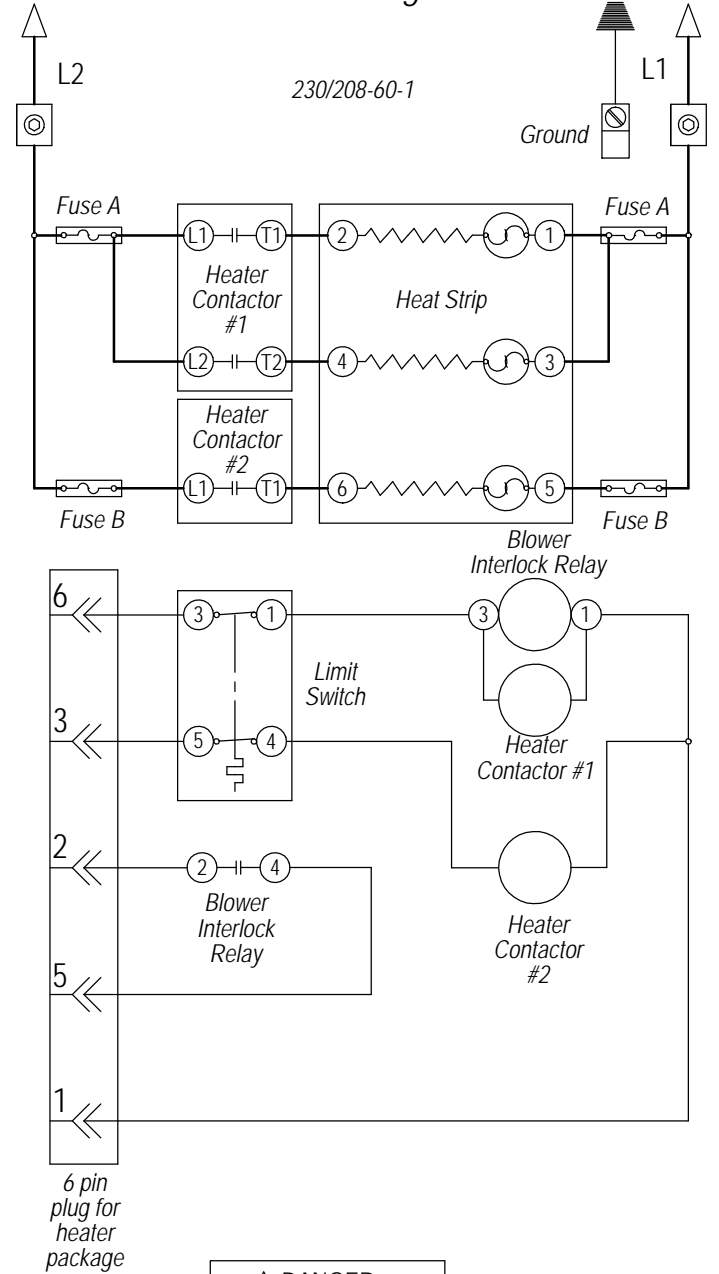
Diagram for 230/208-60-1 Heater Package



Fuse Size
 Fuse A - 60 A Class K-5, 240V
 Fuse B - 30 A Class K-5, 240V

Installation Note:
 Terminal Block and Ground Lug are field installed inside control panel per inst. manual.

Ladder Diagram



⚠ DANGER
 *ELECTRICAL SHOCK HAZARD
 *DISCONNECT POWER BEFORE
 SERVICING.

⚠ WARNING
 USE COPPER CONDUCTORS
 ONLY SUITABLE FOR AT LEAST
 75° C.

	Factory	Field	Optional
High Voltage			
Low Voltage			

4111-102 A