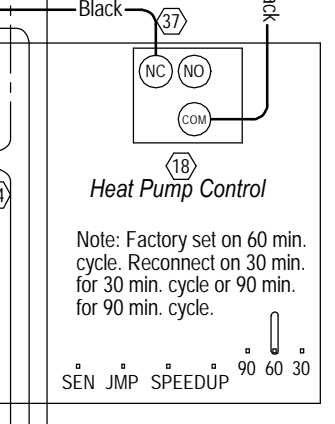
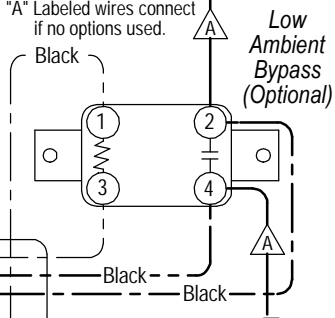
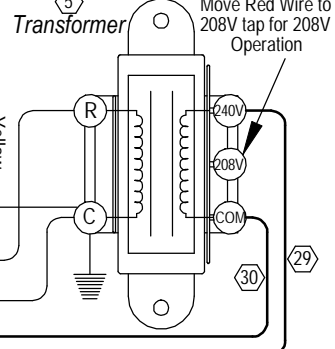


CAPACITOR CHART

MODEL	CAPACITOR
PH1336	5/370



230/208-60-3 Diagram

	Factory	Field	Optional
High Voltage			
Low Voltage			

WARNING
USE COPPER CONDUCTORS ONLY SUITABLE FOR AT LEAST 75° C.

DANGER
ELECTRICAL SHOCK HAZARD
DISCONNECT POWER BEFORE SERVICING.

99 Wire Identification numbers for Bard use only.

Bard
SINCE 1914
Bard Mfg. Co.
Bryan, Ohio
4110-209

230/208-60-3

Indoor Section

4 pin plug for Indoor Blower Motor

5 pin plug for Indoor Blower Motor

