

Outdoor Section

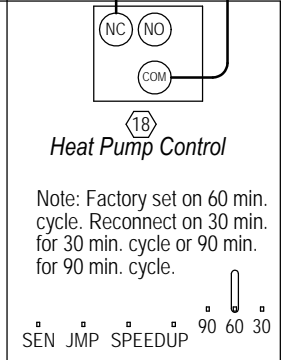
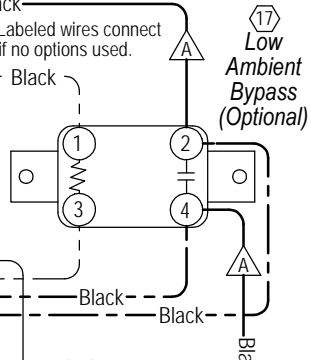
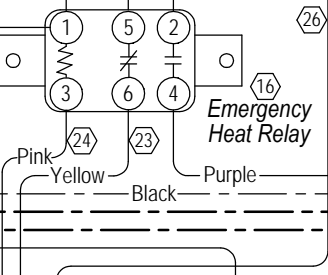
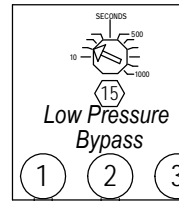
Control Panel Section

Terminal Block

Terminal Strip

Indoor Section

Transformer



	Factory	Field	Optional
High Voltage			
Low Voltage			

230/208-60-3 Diagram

WARNING
USE COPPER CONDUCTORS ONLY SUITABLE FOR AT LEAST 75° C.

DANGER
ELECTRICAL SHOCK HAZARD *DISCONNECT POWER BEFORE SERVICING.

99 Wire Identification numbers for Bard use only.

Bard
SINCE 1914
Bard Mfg. Co.
Bryan, Ohio
4110-200

230/208-60-3

3 pin plug for Indoor Blower Motor

16 pin plug for Indoor Blower Motor

Note: Factory set on 60 min. cycle. Reconnect on 30 min. for 30 min. cycle or 90 min. for 90 min. cycle.

SEN JMP SPEEDUP 90 60 30

6 pin plug for Heater Package