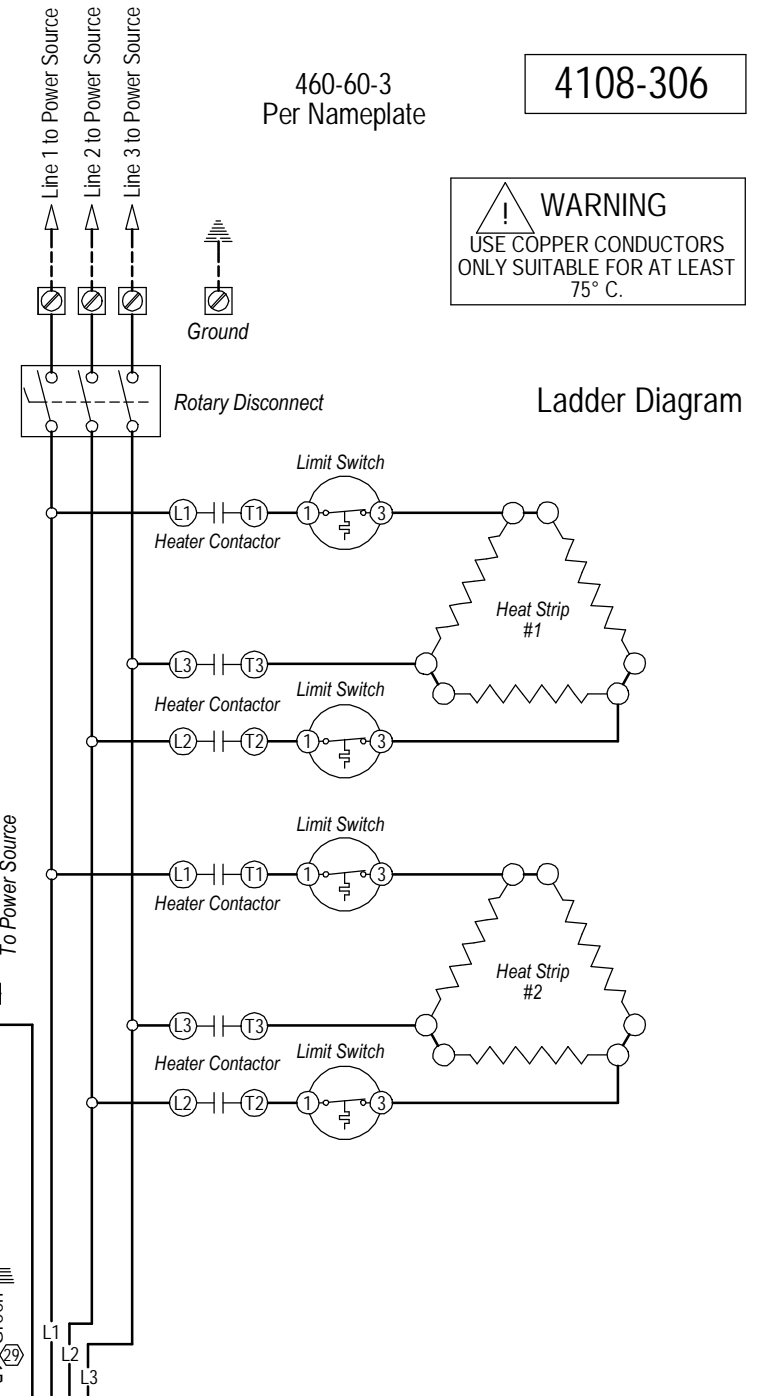
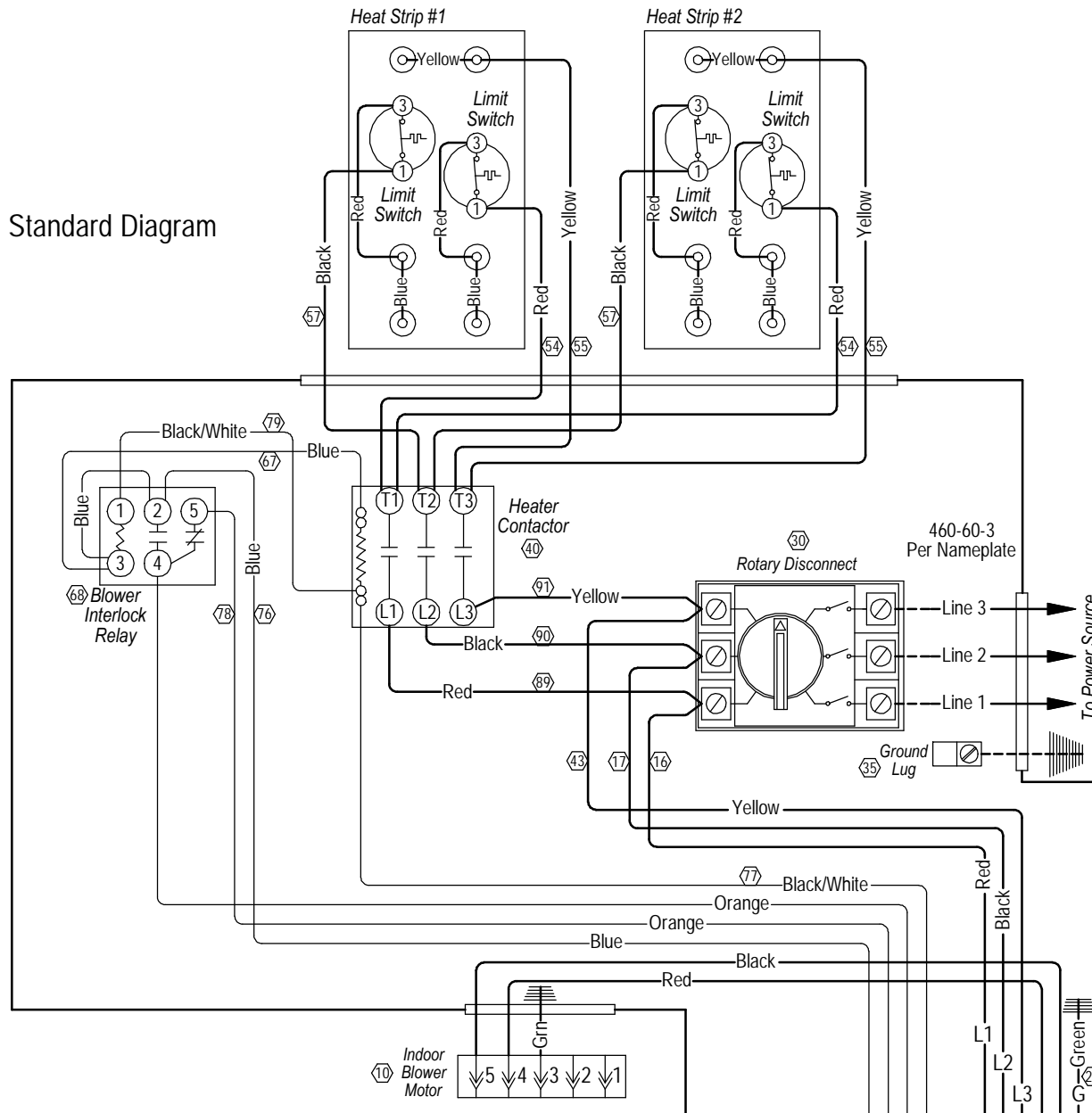


Standard Diagram



460-60-3  
Per Nameplate

4108-306

**WARNING**  
USE COPPER CONDUCTORS  
ONLY SUITABLE FOR AT LEAST  
75° C.

Ladder Diagram