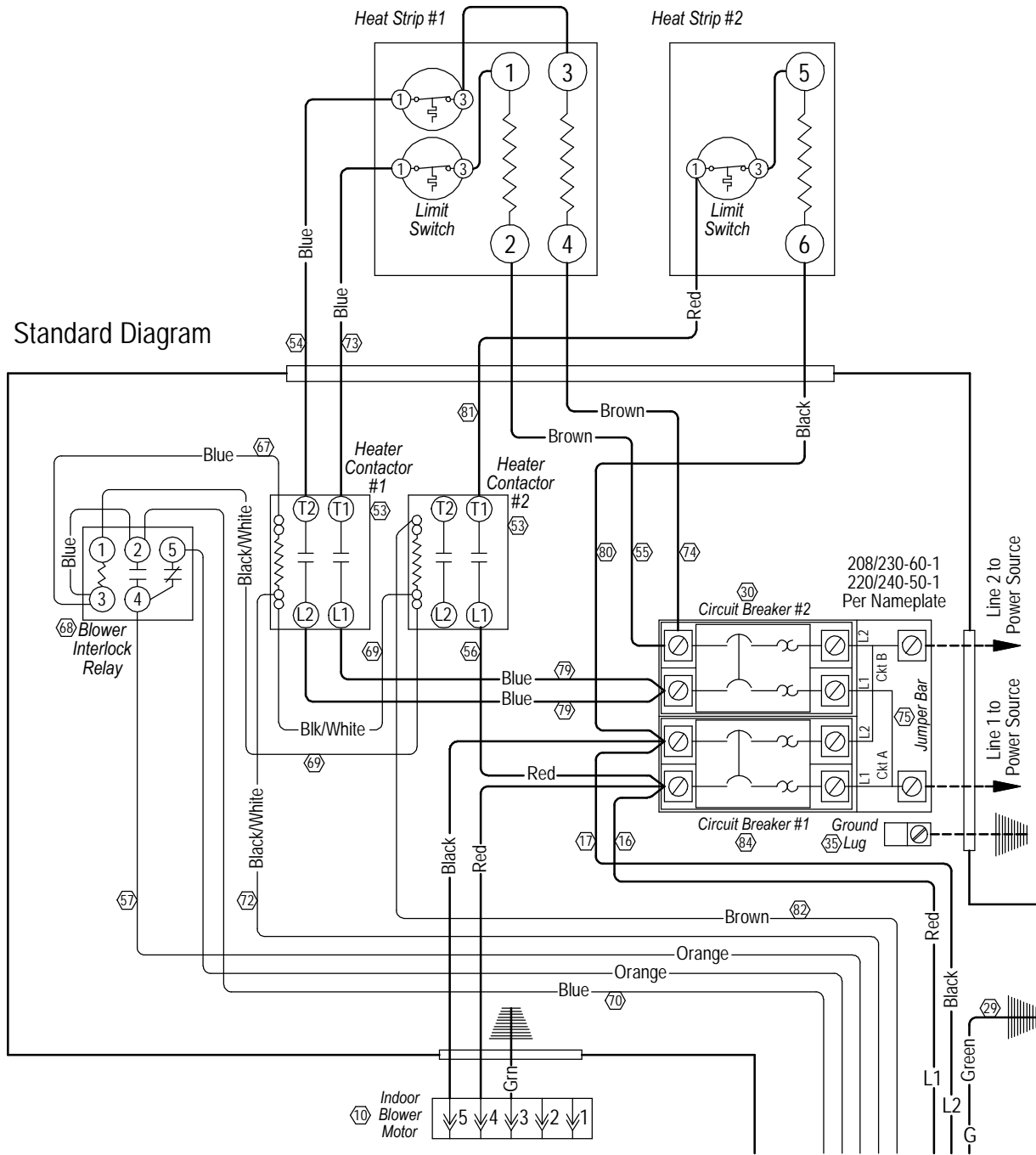
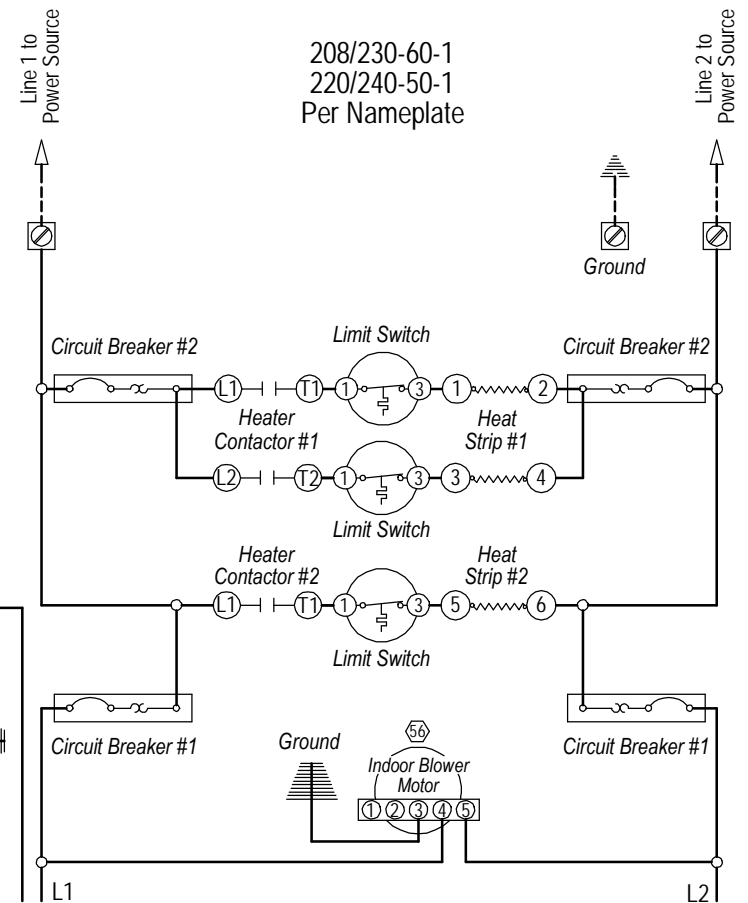


Standard Diagram



WARNING
 USE COPPER CONDUCTORS
 ONLY SUITABLE FOR AT LEAST
 75° C.

4108-107
 Ladder Diagram



208/230-60-1
 220/240-50-1
 Per Nameplate