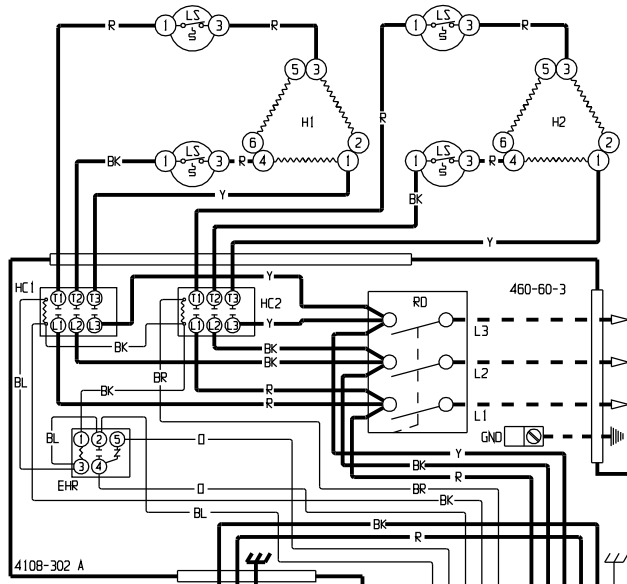
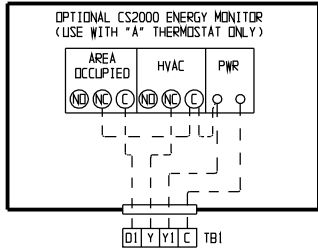


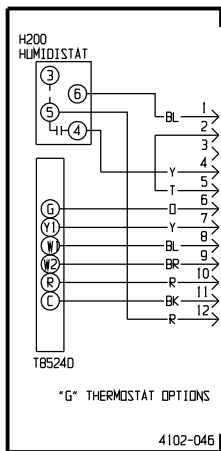
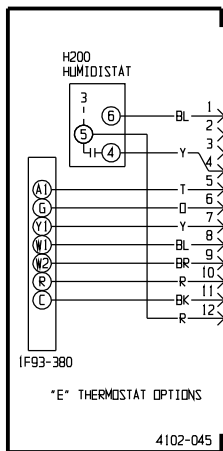
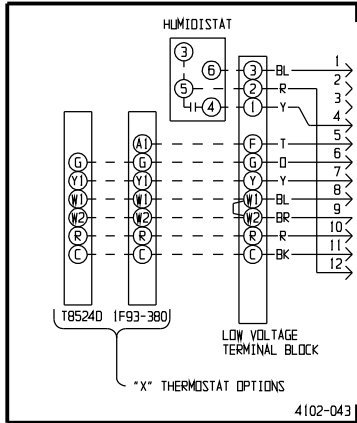
# COMPOSITE WIRING DIAGRAM QAD SERIES 1 460-60-3, REPRESENTS MAXIMUM KW ELECTRIC HEAT

QADC  
4107C301 B

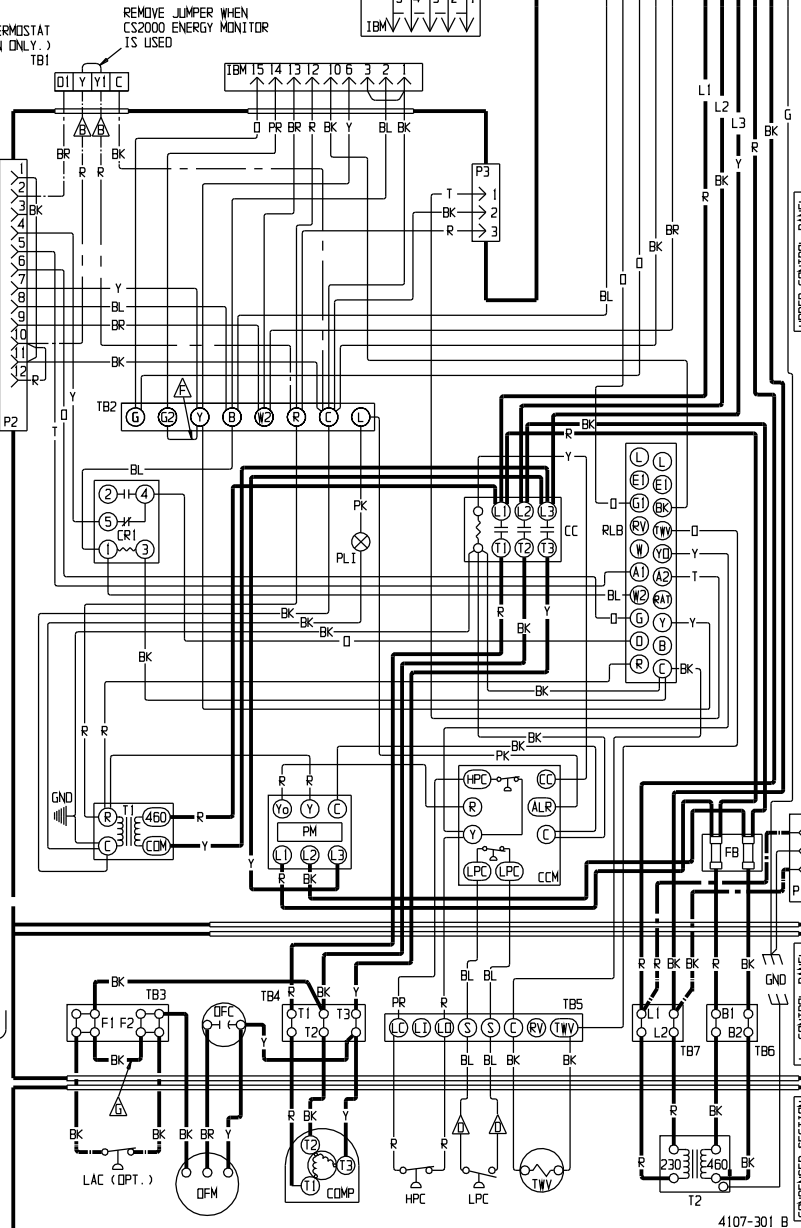


(G THERMOSTAT  
OPTION ONLY.)  
TBI

REMOVE JUMPER WHEN  
CS2000 ENERGY MONITOR  
IS USED



FACTORY WIRED THERMOSTAT OPTIONS



COMPONENT CODE	
BIR	BLOWER INTERLOCK RELAY
CB1	CIRCUIT BREAKER #1
CB2	CIRCUIT BREAKER #2
CC	COMPRESSOR CONTACTOR
CCM	COMP. CONTROL MODULE
COMP	COMPRESSOR
DCC	DUAL CAN CAPACITOR
FB	FUSE BLOCK
GND	GROUND
HC1	HEATER CONTACTOR #1
HC2	HEATER CONTACTOR #2
HPC	HIGH PRESSURE CONTROL
HST1	HEAT STRIP #1
HST2	HEAT STRIP #2
IBM	INDOOR BLOWER MOTOR
LAC	LOW AMBIENT CONTROL
LPC	LOW PRESSURE CONTROL
LS	LIMIT SWITCH
DFM	OUTDOOR FAN MOTOR
P1	ERV (HV) ACCESSORY PLUG
P2	CLIMATE CONTROL PLUG
P3	VENT (LV) ACCESSORY PLUG
RD	ROTARY DISCONNECT
PL1	PRESSURE LOCKOUT INDICATOR
PM	PHASE MONITOR
T1	TRANSFORMER #1
T2	TRANSFORMER #2
TB1	TERMINAL BLOCK #1
TB2	TERMINAL BLOCK #2
TB3	TERMINAL BLOCK #3
TB4	TERMINAL BLOCK #4
TB5	TERMINAL BLOCK #5
TB6	TERMINAL BLOCK #6
TB7	TERMINAL BLOCK #7
TWV	THREE WAY VALVE

- LABELED WIRES CONNECT IF OPTION NOT USED.
- MOVE RED WIRE TO 208V TAP FOR 208V OPERATION
- INSTALL JUMPER FOR HIGH SPEED BLOWER OPER. ON MODELS 36, 42, 48, AND 60

FUSES	
1 KVA	3.2 A
1.5 KVA	5.0 A
2 KVA	7.0 A
3 KVA	10.0 A

REMOVE JUMPER WHEN LAC IS INSTALLED

	WIRING CODE		
	FACTORY STD.	FIELD	OPTIONAL
HIGH VOLTAGE			
LOW VOLTAGE			
ACCESSORY			

COLOR CODE			
BK	BLACK	PK	PINK
BL	BLUE	PR	PURPLE
BR	BROWN	R	RED
G	GREEN	T	TAN
D	ORANGE	Y	YELLOW