

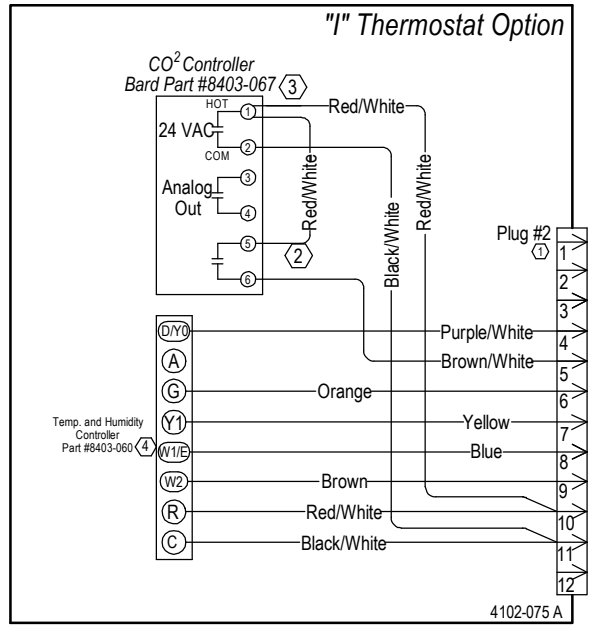
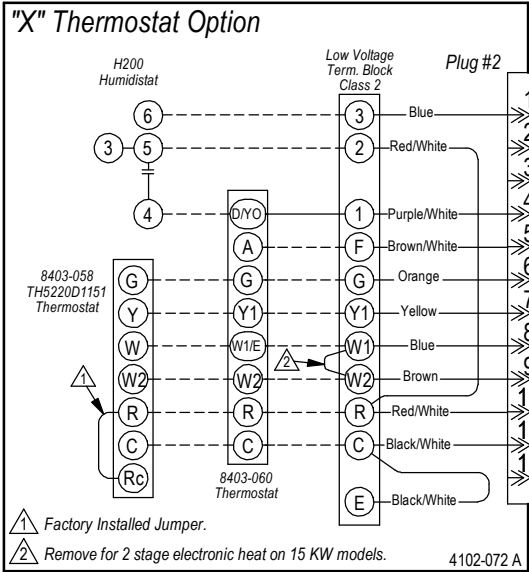
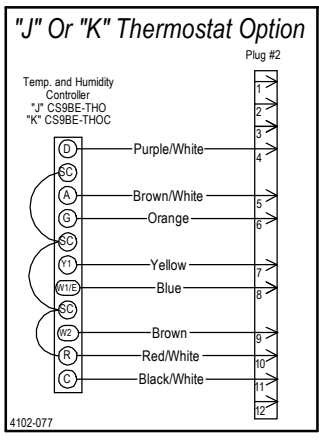
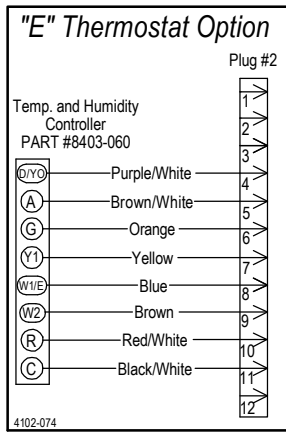
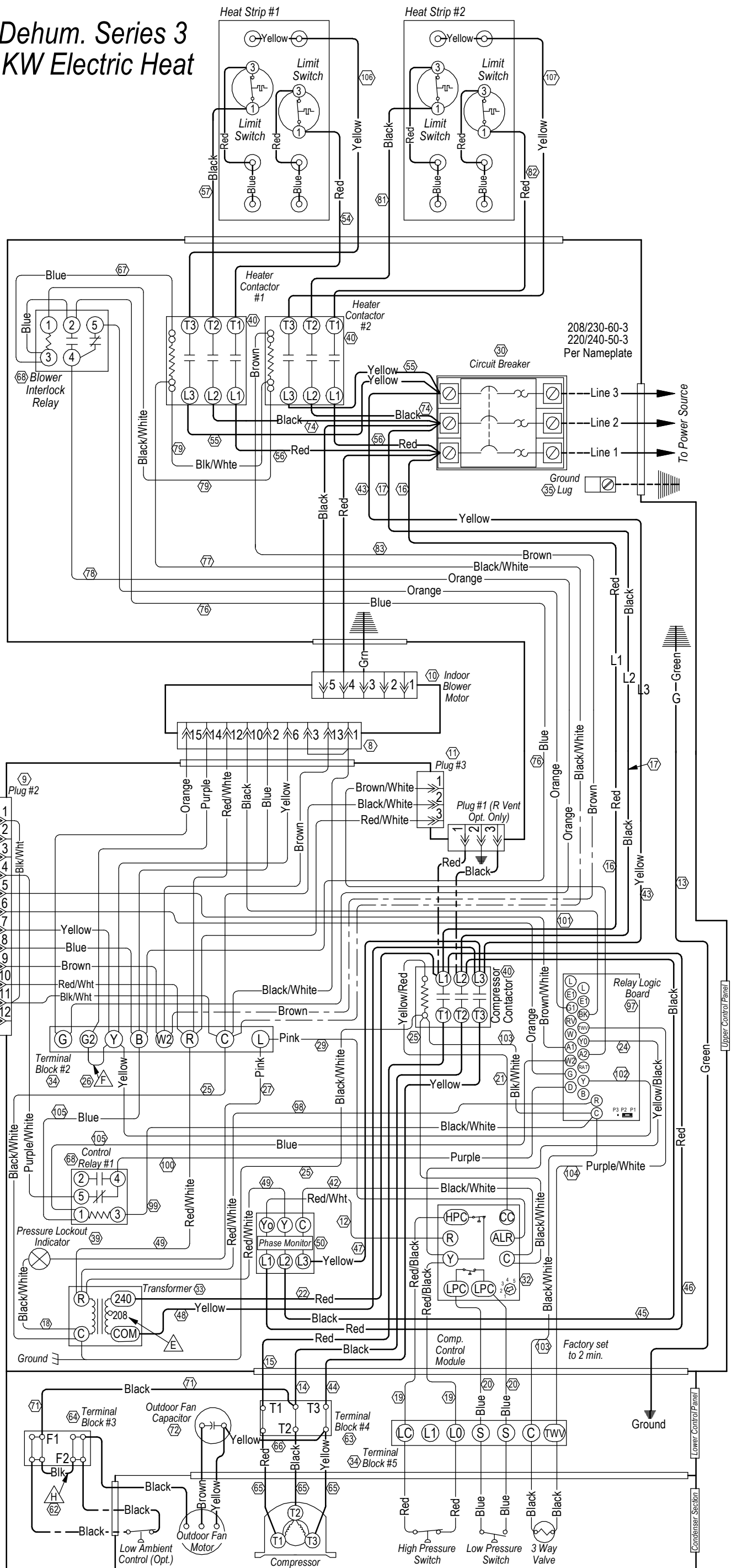
4107C205 A

WARNING
USE COPPER CONDUCTORS
ONLY SUITABLE FOR AT LEAST
75° C.

DANGER
*ELECTRICAL SHOCK HAZARD
*DISCONNECT POWER BEFORE
SERVICING.

	Factory	Field	Optional
High Voltage		-----	-----
Low Voltage		-----	-----

Composite Wiring Diagram QA Dehum. Series 3 208/230-60-3, Represents Max. KW Electric Heat



- A B C D** Labeled wires connect if no options used.
- E** Move Red wire to 208V tap for 208V operation.
- F** Install jumper for hi speed blower oper. on models 36, 42, 48, and 60.
- H** Remove jumper when Low Amb. Bypass is installed.