

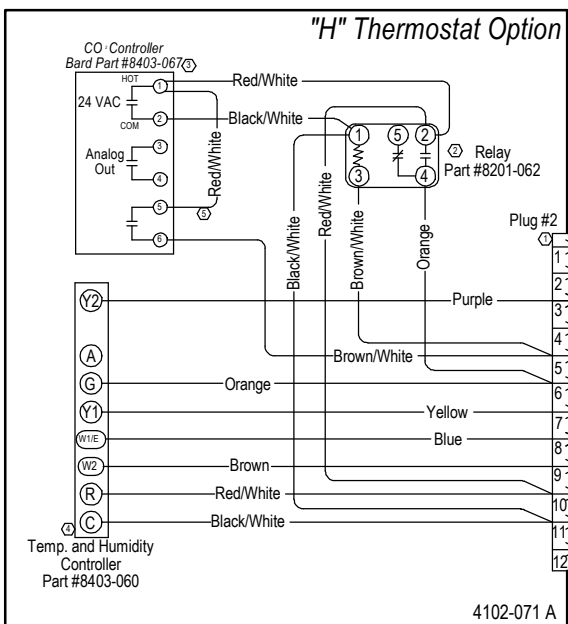
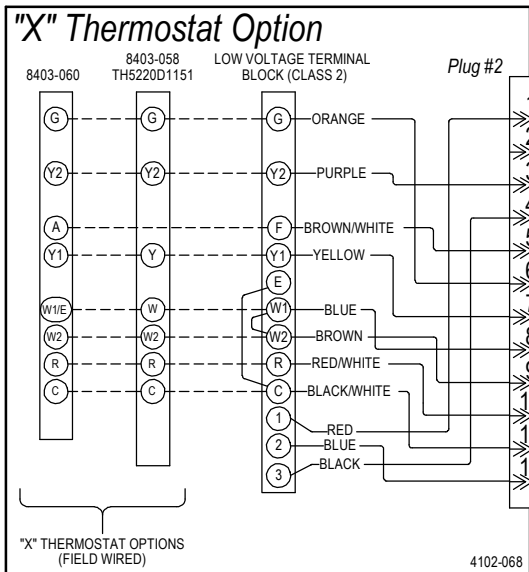
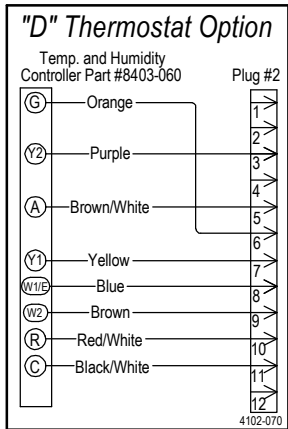
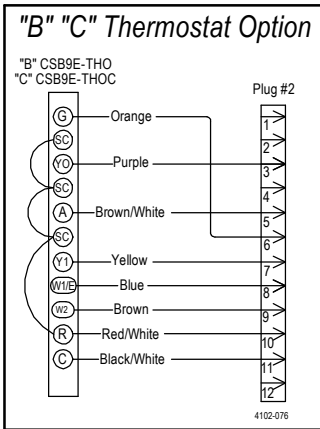
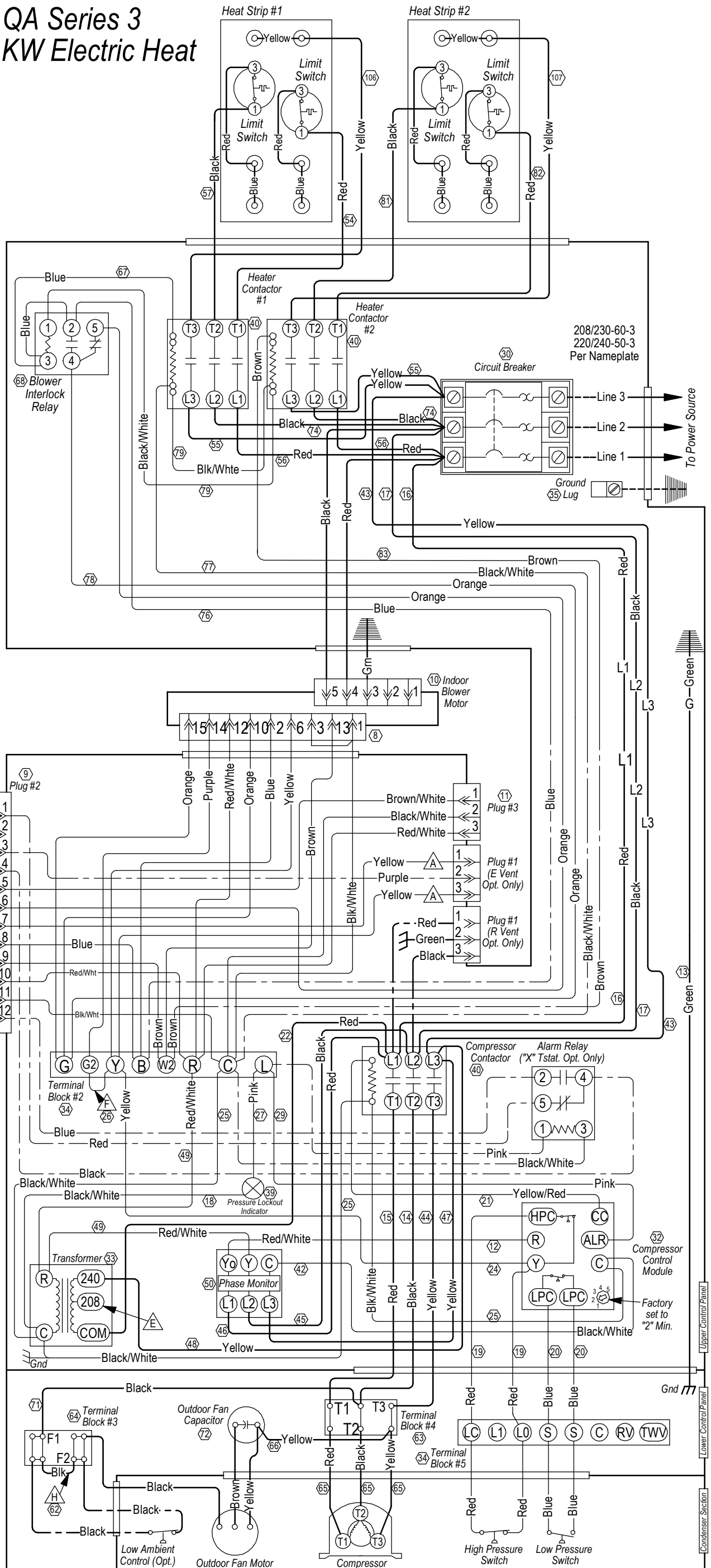
4107C204 A

**WARNING**  
USE COPPER CONDUCTORS  
ONLY SUITABLE FOR AT LEAST  
75° C.

**DANGER**  
\*ELECTRICAL SHOCK HAZARD  
\*DISCONNECT POWER BEFORE  
SERVICING.

	Factory	Field	Optional
High Voltage		-----	-----
Low Voltage		-----	-----

# Composite Wiring Diagram QA Series 3 208/230-60-3, Represents Max. KW Electric Heat



- A** **B** **C** **D** Labeled wires connect if no options used.
- E** Move Red wire to 208V tap for 208V operation.
- F** Install jumper for hi speed blower oper. on models 36, 42, 48, and 60.
- H** Remove jumper when Low Amb. Bypass is installed.