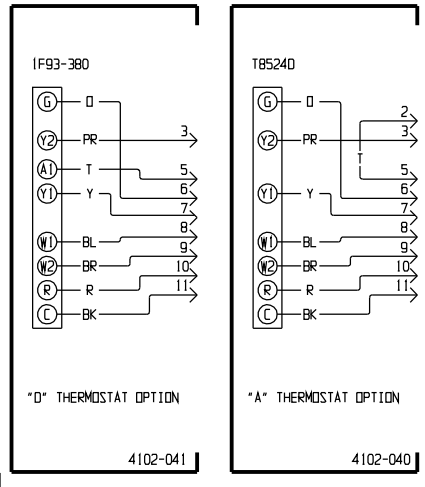
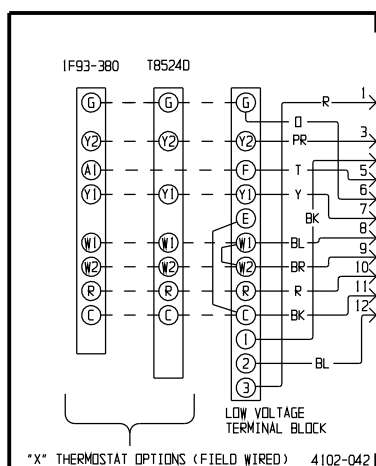
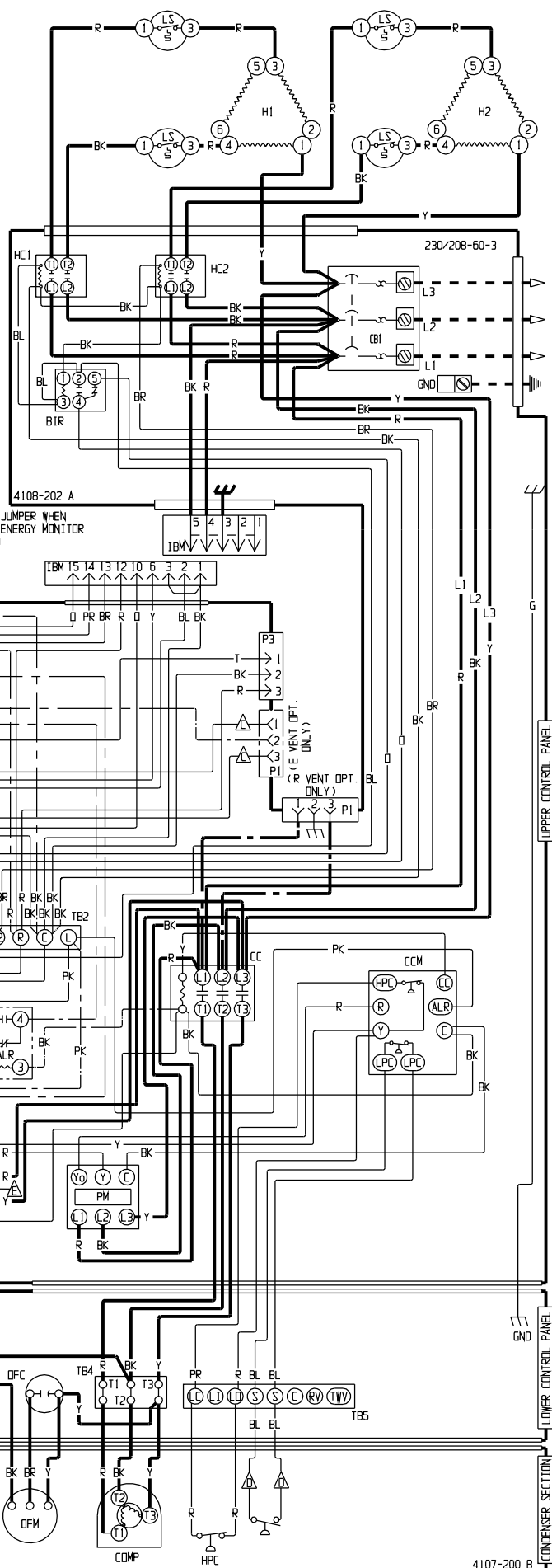
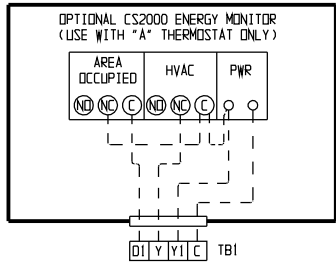


COMPOSITE WIRING DIAGRAM QA SERIES 1 208/230-60-3, REPRESENTS MAXIMUM KW ELECTRIC HEAT

QA-B
4107C200 B



COMPONENT CODE

| | |
|------|----------------------------|
| BIR | BLOWER INTERLOCK RELAY |
| CB1 | CIRCUIT BREAKER #1 |
| CB2 | CIRCUIT BREAKER #2 |
| CC | COMPRESSOR CONTACTOR |
| CCM | COMP. CONTROL MODULE |
| COMP | COMPRESSOR |
| DCC | DUAL CAN CAPACITOR |
| FB | FUSE BLOCK |
| GND | GROUND |
| HC1 | HEATER CONTACTOR #1 |
| HC2 | HEATER CONTACTOR #2 |
| HFC | HIGH PRESSURE CONTROL |
| HS1 | HEAT STRIP #1 |
| HS2 | HEAT STRIP #2 |
| IBM | INDOOR BLOWER MOTOR |
| LAC | LOW AMBIENT CONTROL |
| LPC | LOW PRESSURE CONTROL |
| LSC | LIMIT SWITCH |
| DFC | OUTDOOR FAN CAPACITOR |
| DFM | OUTDOOR FAN MOTOR |
| P1 | ERY (HV) ACCESSORY PLUG |
| P2 | CLIMATE CONTROL PLUG |
| P3 | VENT (LV) ACCESSORY PLUG |
| RD | ROTARY DISCONNECT |
| PLI | PRESSURE LOCKOUT INDICATOR |
| PM | PHASE MONITOR |
| T1 | TRANSFORMER #1 |
| T2 | TRANSFORMER #2 |
| TB1 | TERMINAL BLOCK #1 |
| TB2 | TERMINAL BLOCK #2 |
| TB3 | TERMINAL BLOCK #3 |
| TB4 | TERMINAL BLOCK #4 |
| TB5 | TERMINAL BLOCK #5 |
| TB6 | TERMINAL BLOCK #6 |
| TB7 | TERMINAL BLOCK #7 |
| TWV | THREE WAY VALVE |

- LABELED WIRES CONNECT IF OPTION NOT USED.
- MOVE RED WIRE TO 208V TAP FOR 208V OPERATION
- INSTALL JUMPER FOR HIGH SPEED BLOWER OPER. ON MODELS 36, 42, 48, AND 60

FUSES

| | |
|---------|--------|
| 1 KVA | 3.2 A |
| 1.5 KVA | 5.0 A |
| 2 KVA | 7.0 A |
| 3 KVA | 10.0 A |

REMOVE JUMPER WHEN LAC IS INSTALLED

WIRING CODE

| | FACTORY STD. | FIELD | OPTIONAL |
|--------------|--------------|-------|----------|
| HIGH VOLTAGE | --- | --- | --- |
| LOW VOLTAGE | --- | --- | --- |
| ACCESSORY | --- | --- | --- |

COLOR CODE

| | | | |
|----|--------|----|--------|
| BK | BLACK | PK | PINK |
| BL | BLUE | PR | PURPLE |
| BR | BROWN | R | RED |
| G | GREEN | T | TAN |
| O | ORANGE | Y | YELLOW |