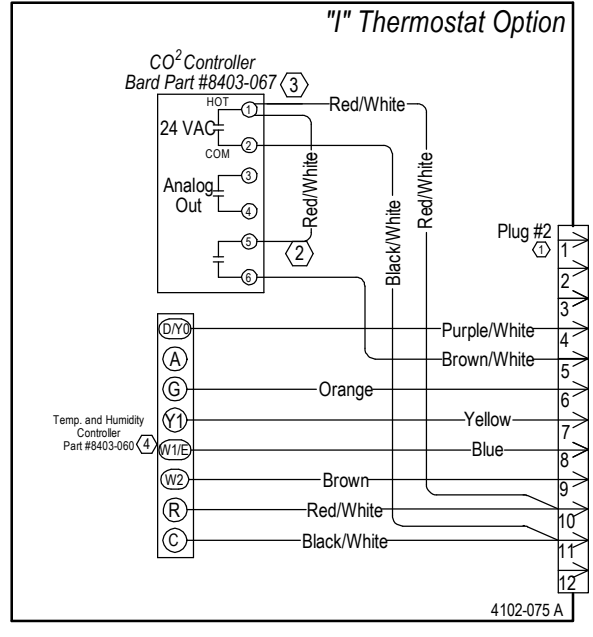
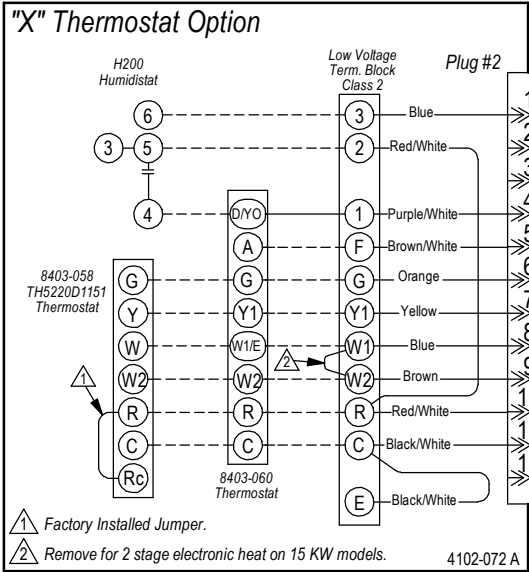
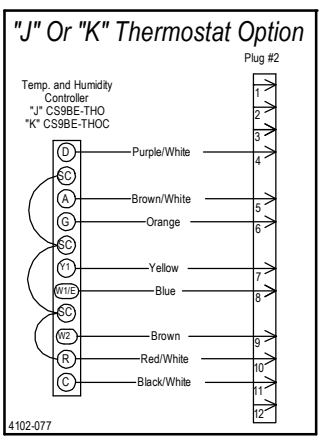
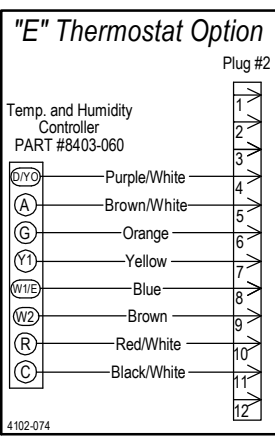
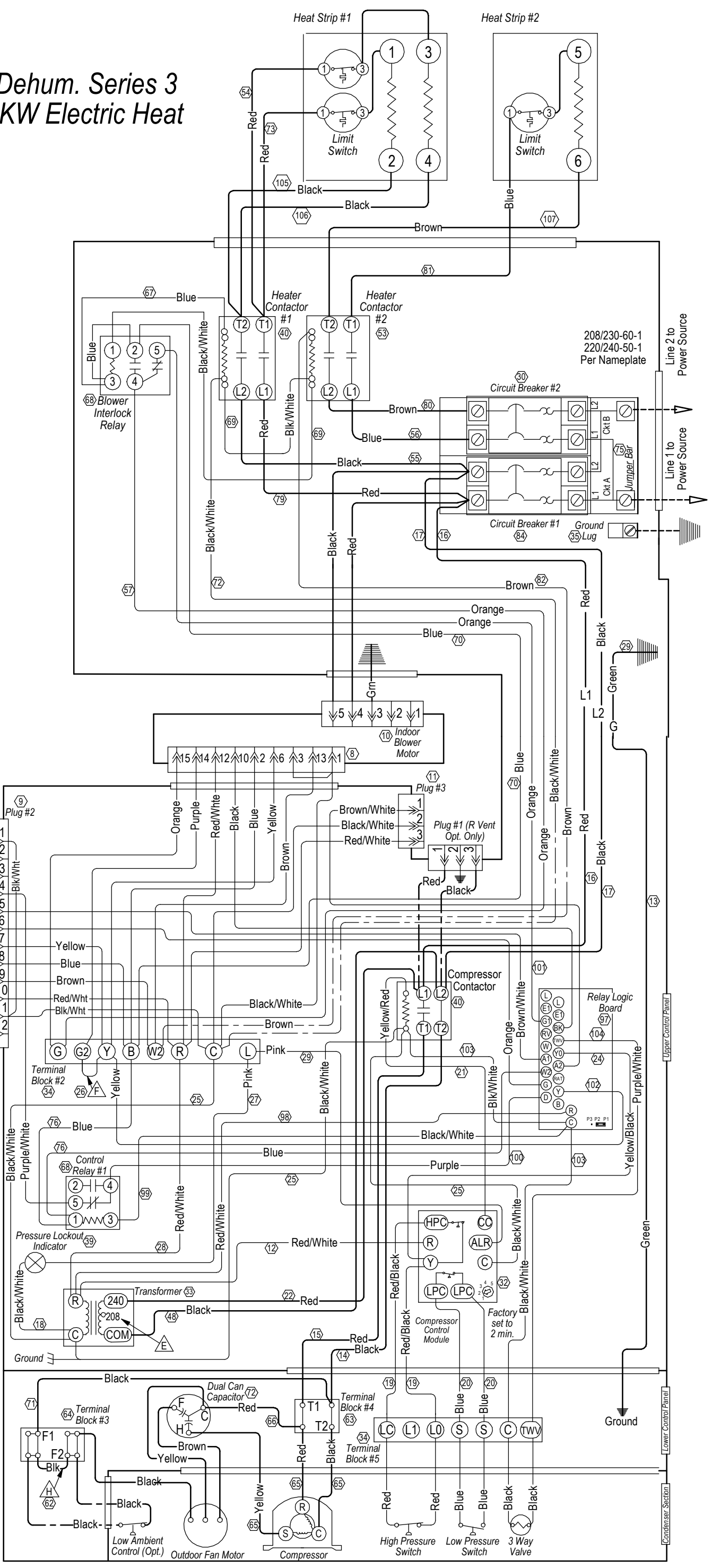


4107C105 A

WARNING USE COPPER CONDUCTORS ONLY SUITABLE FOR AT LEAST 75° C.	DANGER *ELECTRICAL SHOCK HAZARD *DISCONNECT POWER BEFORE SERVICING.
---	---

	Factory	Field	Optional
High Voltage	-----	-----	-----
Low Voltage	-----	-----	-----

Composite Wiring Diagram QA Dehum. Series 3 208/230-60-1, Represents Max. KW Electric Heat



- A** **B** **C** **D** Labeled wires connect if no options used.
- E** Move Red wire to 208V tap for 208V operation.
- F** Install jumper for hi speed blower oper. on models 36, 42, 48, and 60.
- H** Remove jumper when Low Amb. Bypass is installed.