

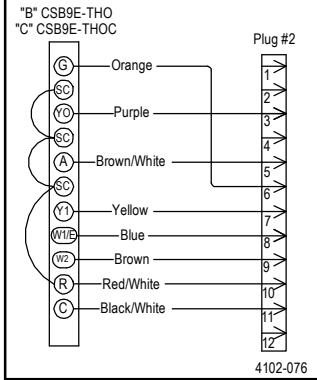
4107C104 A

WARNING USE COPPER CONDUCTORS ONLY SUITABLE FOR AT LEAST 75° C.	DANGER *ELECTRICAL SHOCK HAZARD *DISCONNECT POWER BEFORE SERVICING.
---	---

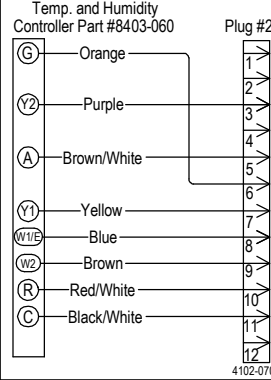
	Factory	Field	Optional
High Voltage		-----	-----
Low Voltage		-----	-----

Composite Wiring Diagram QA Series 3 208/230-60-1, Represents Max. KW Electric Heat

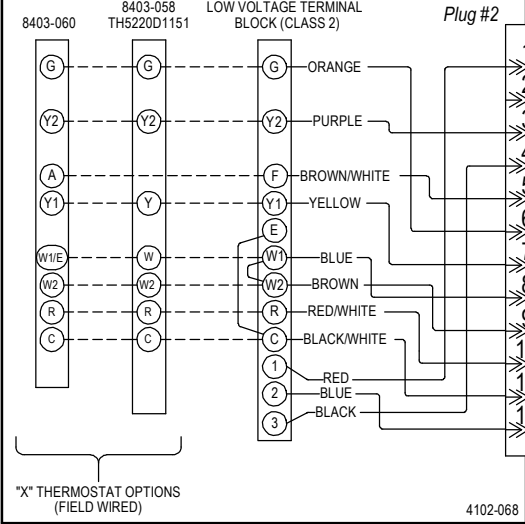
"B" "C" Thermostat Option



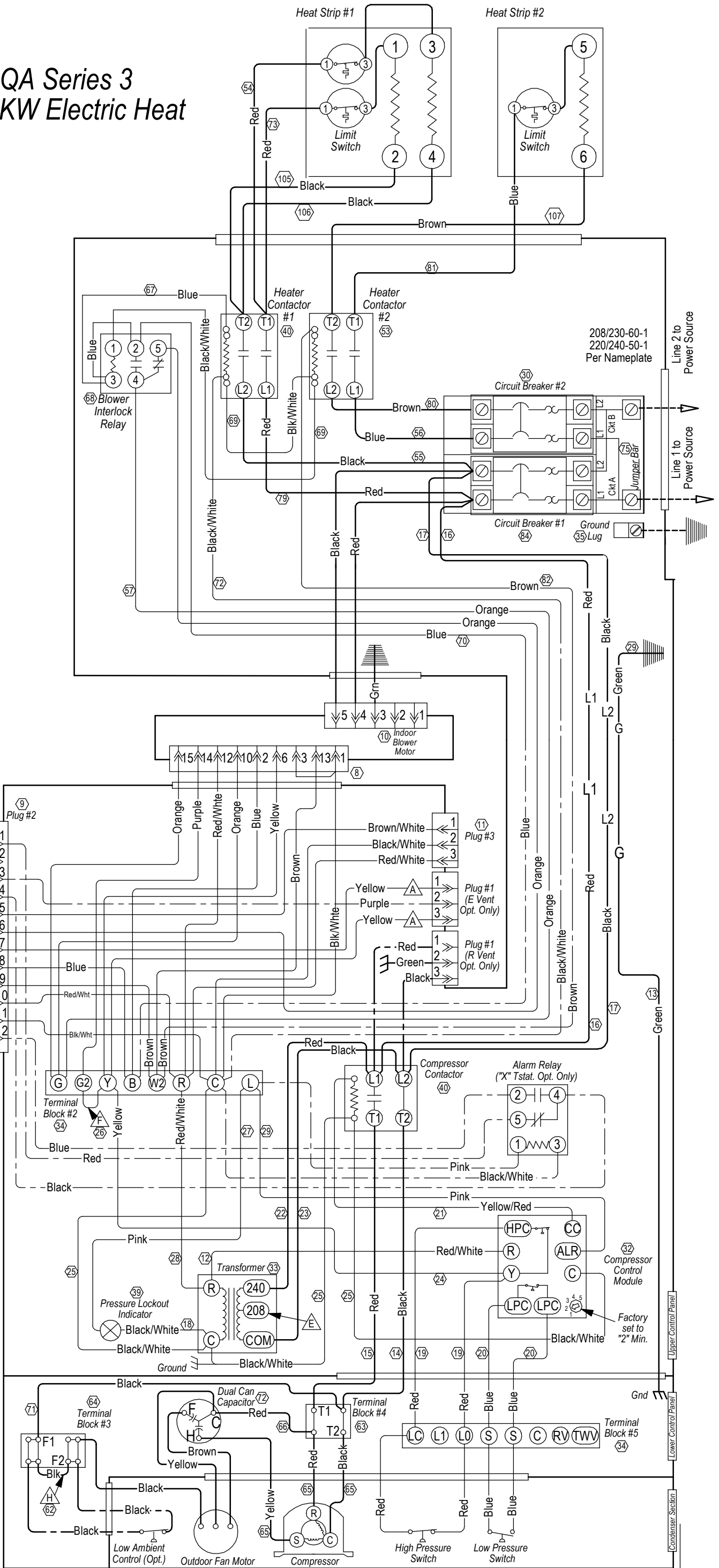
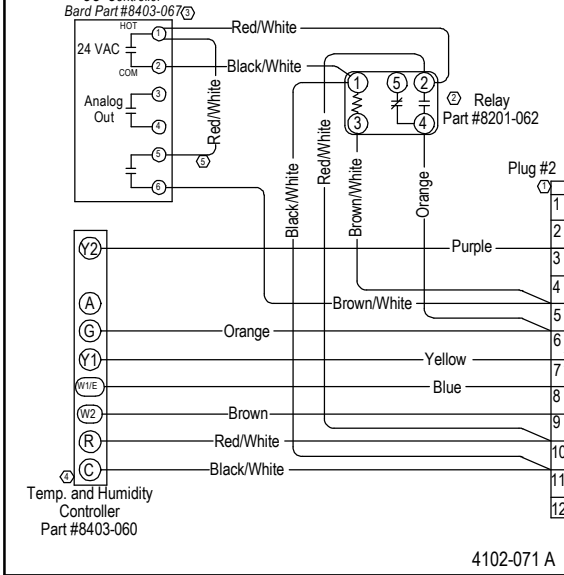
"D" Thermostat Option



"X" Thermostat Option



"H" Thermostat Option



- Labeled wires connect if no options used.
- Move Red wire to 208V tap for 208V operation.
- Install jumper for hi speed blower oper. on models 36, 42, 48, and 60.
- Remove jumper when Low Amb. Bypass is installed.