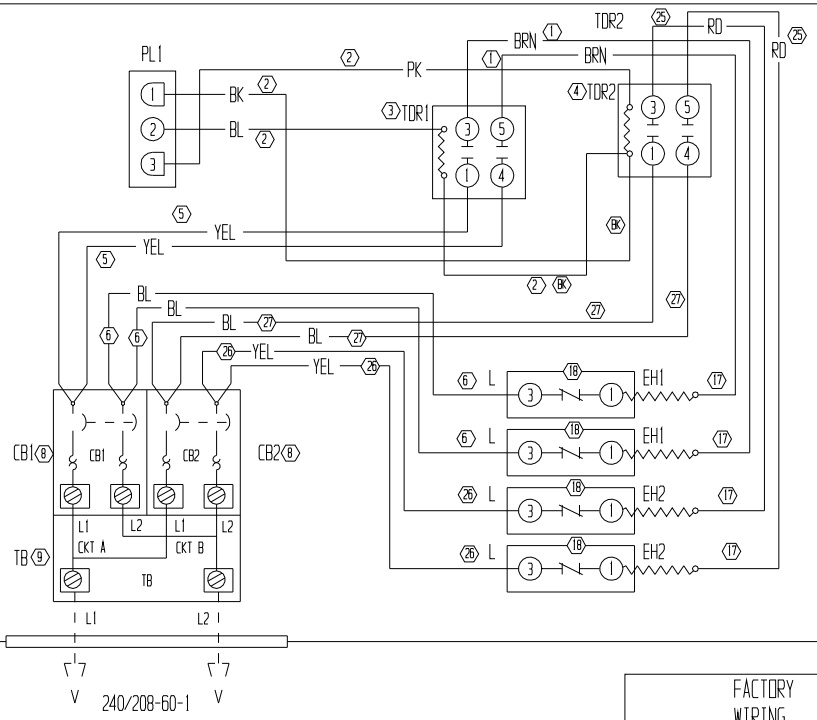


CONNECTION DIAGRAM

DANGER: ELECTRICAL SHOCK HAZARD.
DISCONNECT POWER BEFORE SERVICING.



COMPONENT CODE	
CB1	CIRCUIT BREAKER 1
CB2	CIRCUIT BREAKER 2
EH1	ELECTRIC HEATER 1
EH2	ELECTRIC HEATER 2
L	LINE BREAK LIMIT
PL1	PLUG #1
TB	TERMINAL BLOCK
TDR1	TIME DELAY RELAY 1
TDR2	TIME DELAY RELAY 2

	FACTORY WIRING	FIELD WIRING
Low Voltage	—————	- - - - -
High Voltage	—————	- - - - -

USE COPPER OR ALUMINUM WIRE

LADDER DIAGRAM

