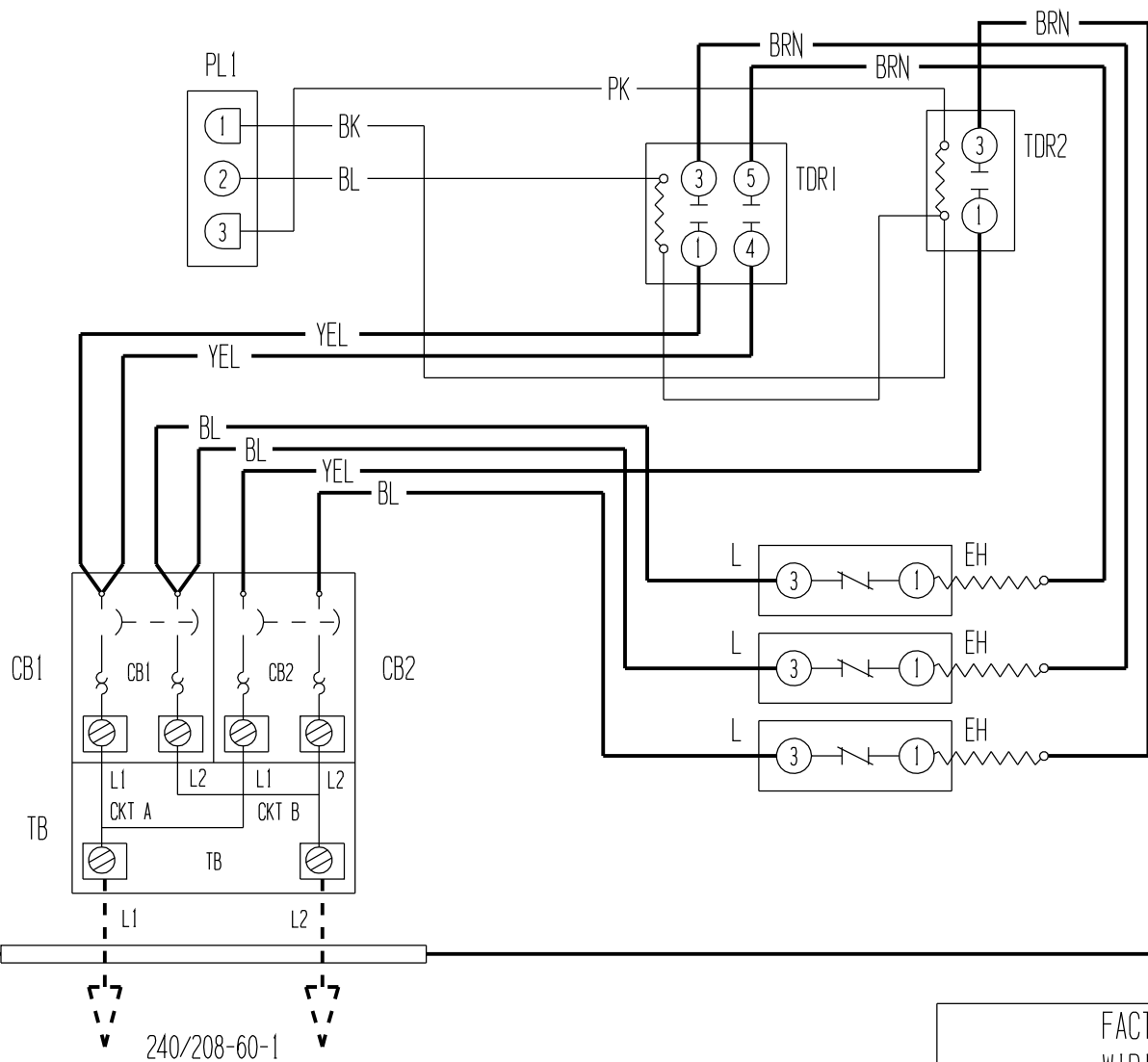


# CONNECTION DIAGRAM

DANGER: ELECTRICAL SHOCK HAZARD.  
DISCONNECT POWER BEFORE SERVICING.



COMPONENT CODE	
CB1	CIRCUIT BREAKER 1
CB2	CIRCUIT BREAKER 2
EH	ELECTRIC HEATER
L	LINE BREAK LIMIT
PL1	PLUG #1
TB	TERMINAL BLOCK
TDR1	TIME DELAY RELAY 1
TDR2	TIME DELAY RELAY 2

NOTE: REFER TO THE HEATER PACKAGE INSTRUCTIONS FOR PROPER INSTALLATION

	FACTORY WIRING	FIELD WIRING
Low Voltage	—	- - - -
High Voltage	—	- - - -

USE COPPER OR ALUMINUM WIRE

# LADDER DIAGRAM

