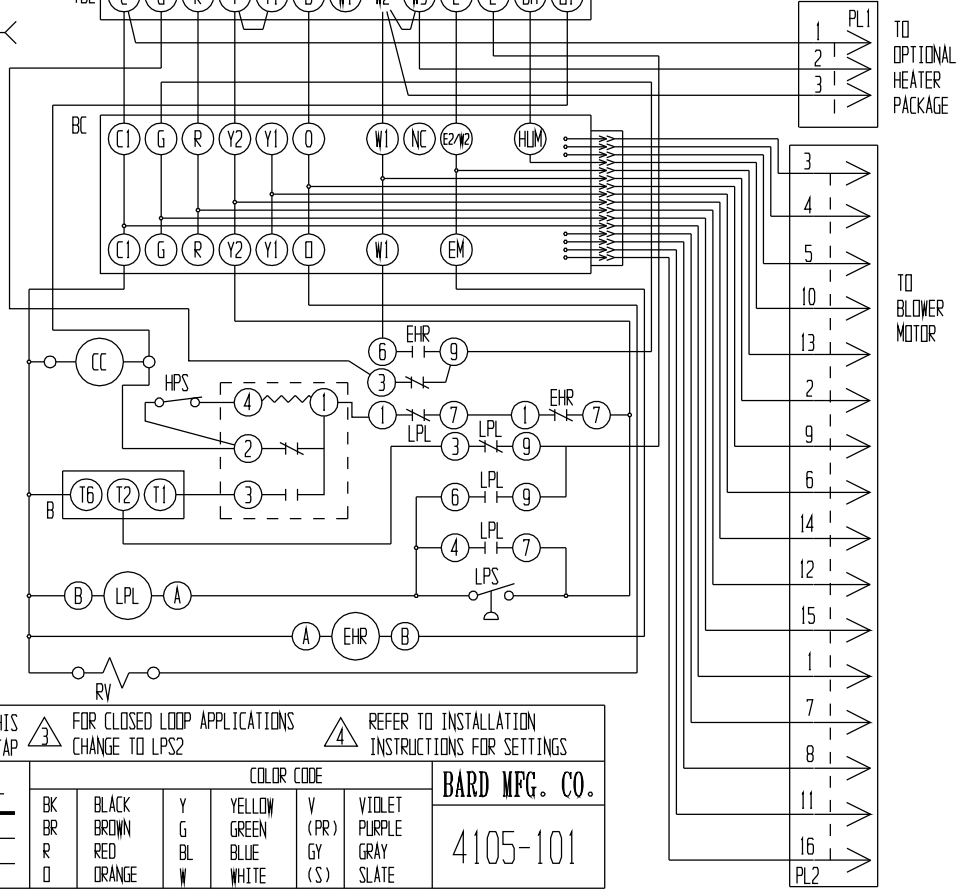
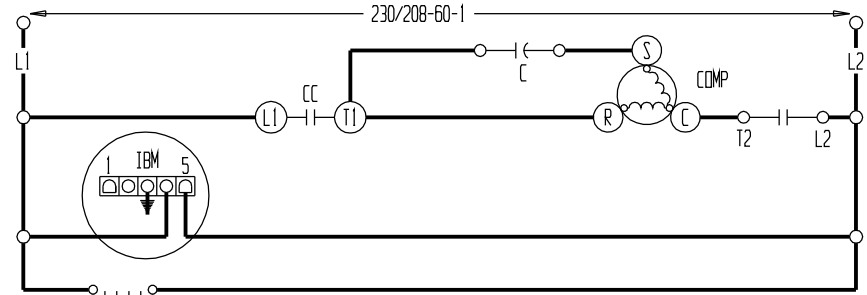
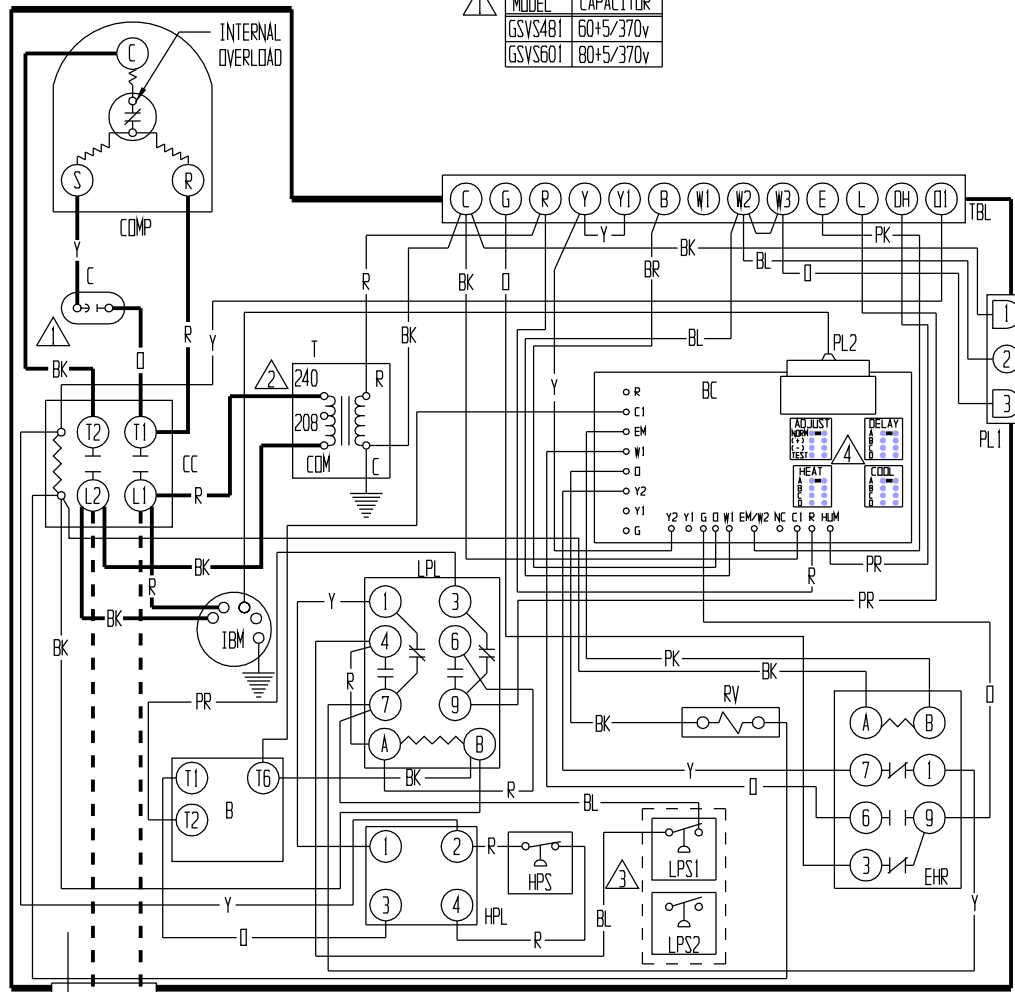


△	MODEL	CAPACITOR
	GSVS481	60+5/370v
	GSVS601	80+5/370v



COMPONENT CODE			
IBM	INDOOR BLOWER MOTOR	HPS	HIGH PRESSURE SWITCH
B	BLINKER	LPS1	LOW PRESSURE SWITCH 1 (27#)
BC	BLOWER CONTROL	LPS2	LOW PRESSURE SWITCH 2 (15#)
C	CAPACITOR	LPL	LOW PRESSURE LOCKOUT
CC	COMPRESSOR CONTACTOR	PL1	PLUG #1
COMP	COMPRESSOR	PL2	PLUG #2
EHR	EMERGENCY HEAT RELAY	RV	REVERSING VALVE
GND	EQUIPMENT GROUND	T	TRANSFORMER
HPL	HIGH PRESSURE LOCKOUT	TBL	LOW VOLTAGE TERMINAL BLOCK

USE COPPER CONDUCTORS ONLY  
SUITABLE FOR AT LEAST 75° C

△ SEE TABLE, △ FOR 208v OPERATION MOVE THIS WIRE TO 208v TRANSFORMER TAP

△ FOR CLOSED LOOP APPLICATIONS CHANGE TO LPS2

△ REFER TO INSTALLATION INSTRUCTIONS FOR SETTINGS

	FACTORY STD.	FIELD	OPTIONAL
HIGH VOLTAGE	————	----	-----
LOW VOLTAGE	-----	----	-----
ACCESSORY	-----	----	-----

COLOR CODE					
BK	BLACK	Y	YELLOW	V	VIOLET
BR	BROWN	G	GREEN	(PR)	PURPLE
R	RED	BL	BLUE	GY	GRAY
O	ORANGE	W	WHITE	(S)	SLATE

**BARD MFG. CO.**  
4105-101