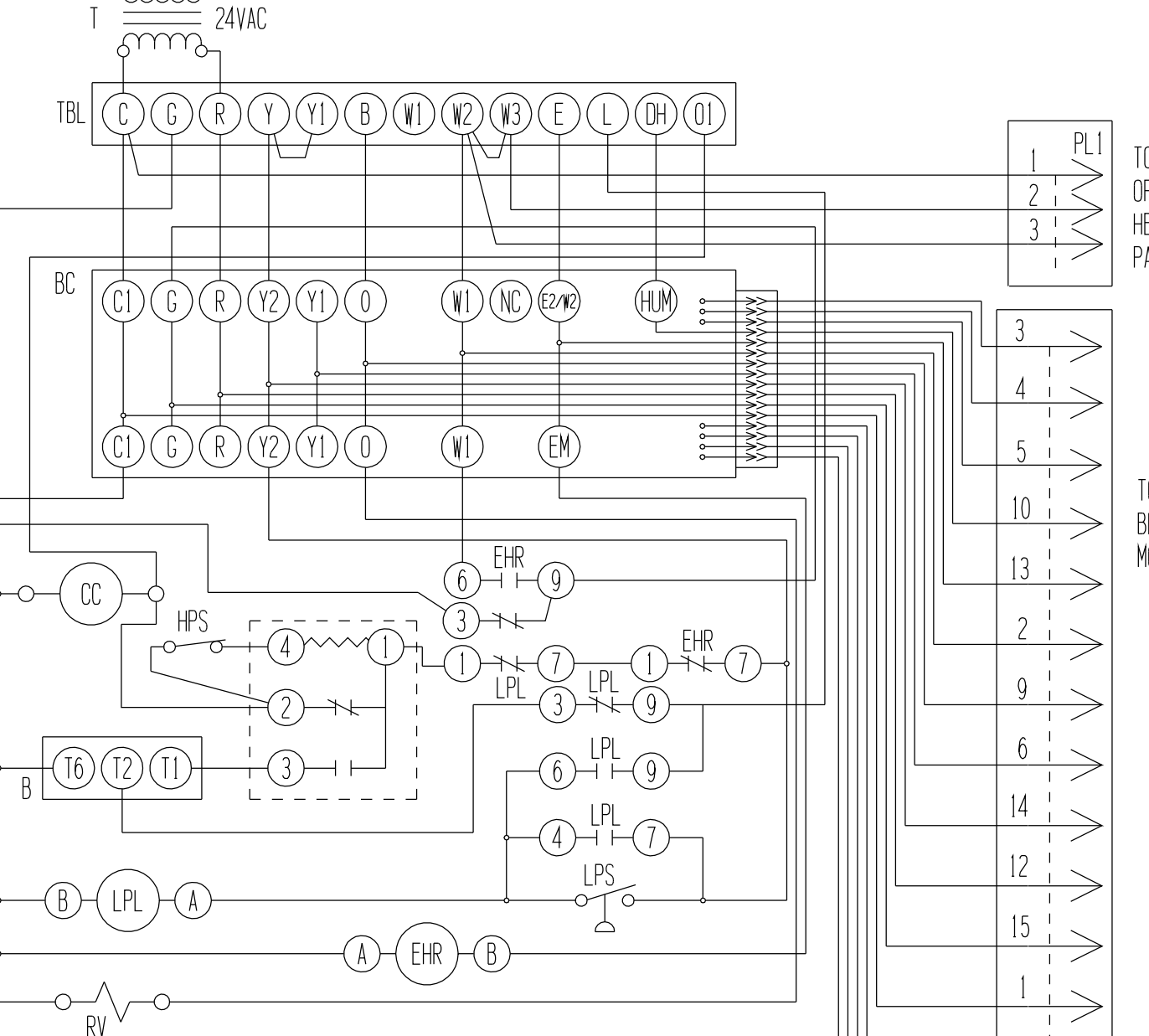
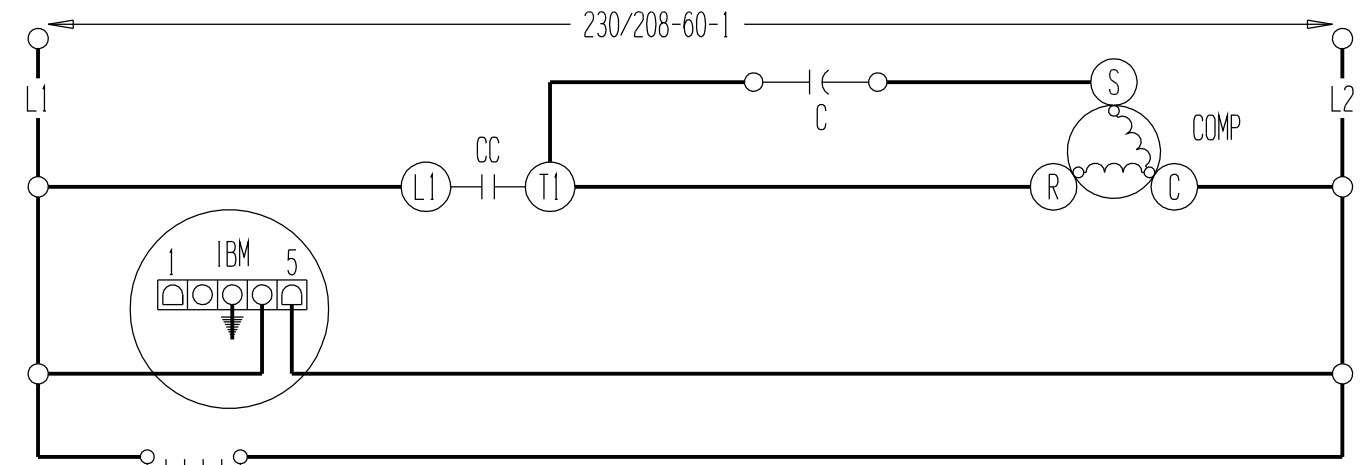


MODEL	CAPACITOR
GSYS24	30/370v
GSYS30	40/370v
GSYS36	45/370v
GSYS42	50+5/370v

5 FOR DUAL CAN CAPACITOR CONNECTIONS MADE AT "C" & "HERM" ON CAPACITOR. FAN NOT USED.



TO OPTIONAL HEATER PACKAGE

TO BLOWER MOTOR

COMPONENT CODE			
IBM	INDOOR BLOWER MOTOR	HPS	HIGH PRESSURE SWITCH
B	BLINKER	LPS1	LOW PRESSURE SWITCH 1 (27#)
BC	BLOWER CONTROL	LPS2	LOW PRESSURE SWITCH 2 (15#)
C	BLOWER CONTROL	LPL	LOW PRESSURE LOCKOUT
CC	CAPACITOR	PL1	PLUG #1
COMP	COMPRESSOR CONTACTOR	PL2	PLUG #2
EHR	COMPRESSOR	RV	REVERSING VALVE
GND	EMERGENCY HEAT RELAY	T	TRANSFORMER
HPL	EQUIPMENT GROUND	TBL	LOW VOLTAGE TERMINAL BLOCK
	HIGH PRESSURE LOCKOUT		

USE COPPER CONDUCTORS ONLY SUITABLE FOR AT LEAST 75° C

1 SEE TABLE, 2 FOR 208v OPERATION MOVE THIS WIRE TO 208v TRANSFORMER TAP

3 FOR CLOSED LOOP APPLICATIONS CHANGE TO LPS2

4 REFER TO INSTALLATION INSTRUCTIONS FOR SETTINGS

	FACTORY STD.	FIELD	OPTIONAL
HIGH VOLTAGE	————	-----	-----
LOW VOLTAGE	————	-----	-----
ACCESSORY	————	-----	-----

COLOR CODE					
BK	BLACK	Y	YELLOW	V	VIOLET
BR	BROWN	G	GREEN	(PR)	PURPLE
R	RED	BL	BLUE	GY	GRAY
O	ORANGE	W	WHITE	(S)	SLATE

BARD MFG. CO.
03-31-98
4105-100 C

