

⚠ BLUE (MED.), BLACK (HIGH) WHERE APPLICABLE

USE COPPER CONDUCTORS ONLY SUITABLE FOR AT LEAST 75° C

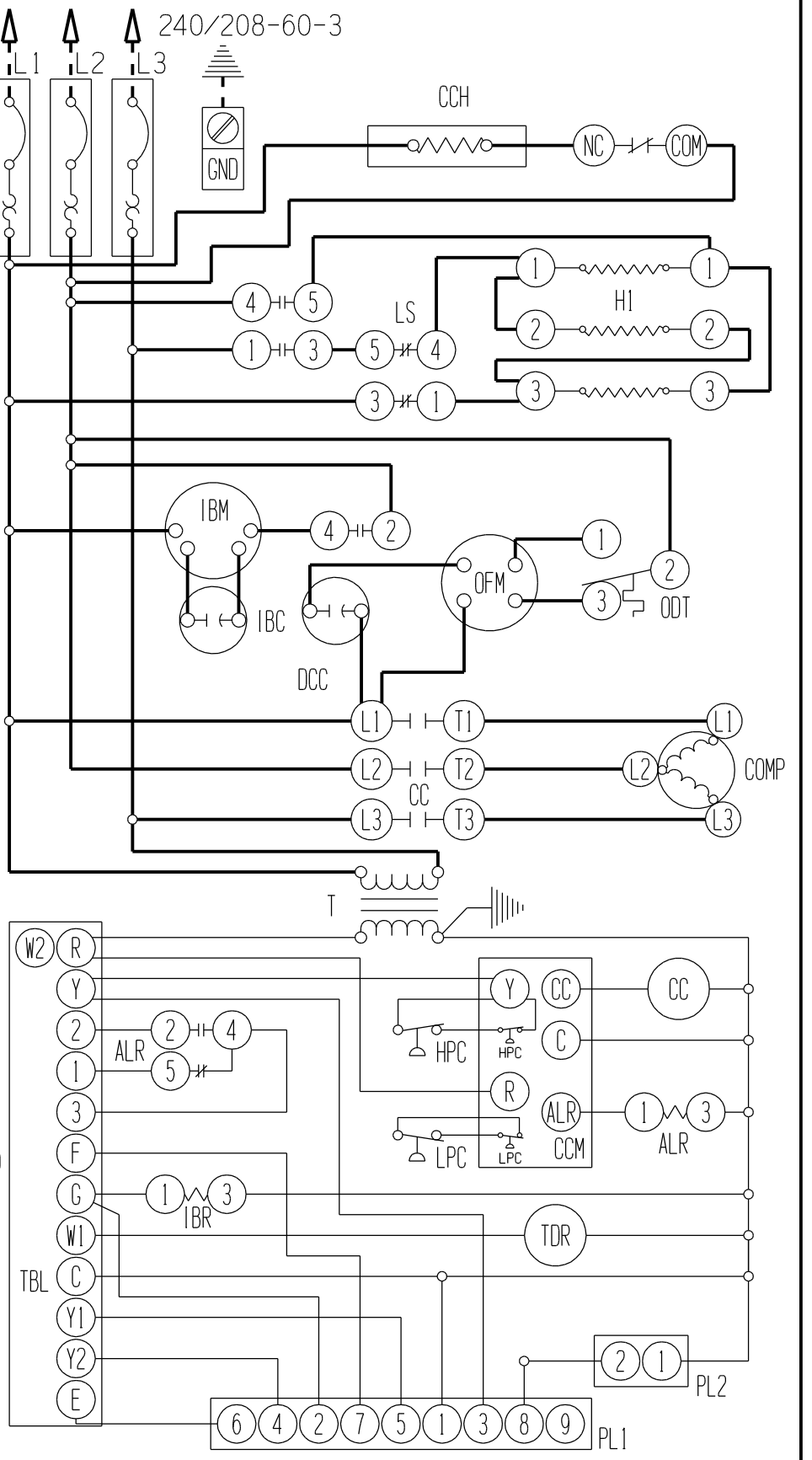
USE CLASS 1 WIRING FOR ALL CONNECTIONS TO THE LOW VOLTAGE TERMINAL BLOCK

COMPONENT CODE

ALR	ALARM RELAY	IBC	INDOOR BLOWER CAPACITOR	PL1	PLUG, 9 PIN
COMP	COMPRESSOR	IBM	INDOOR BLOWER MOTOR	PL2	PLUG, 2 PIN
CB	CIRCUIT BREAKER	IBR	INDOOR BLOWER RELAY	T	TRANSFORMER
CC	COMPRESSOR CONTACTOR	LAC	LOW AMBIENT CONTROL	TB	TERMINAL BLOCK
CCH	CRANKCASE HEATER	LPC	LOW PRESSURE CONTROL	TBL	LOW VOLT TERM BLOCK
CCM	COMPRESSOR CONTROL MODULE	LS	LIMIT SWITCH	TCO	THERMAL CUTOFF
GND	GROUND	ODT	OUTDOOR THERMOSTAT	TDR	TIME DELAY RELAY
H1	HEAT STRIP	OFM	OUTDOOR FAN MOTOR		
HPC	HIGH PRESSURE CONTROL				

COLOR CODE

BK	BLACK	G	GREEN
BR	BROWN	BL	BLUE
R	RED	PR	PURPLE
O	ORANGE	GY	GRAY
Y	YELLOW	PK	PINK



ALARM RELAY CONTACT RATINGS
125VA @ 24VAC

4104-211 A