

⚠ BLUE (MED.), BLACK (HIGH) WHERE APPLICABLE

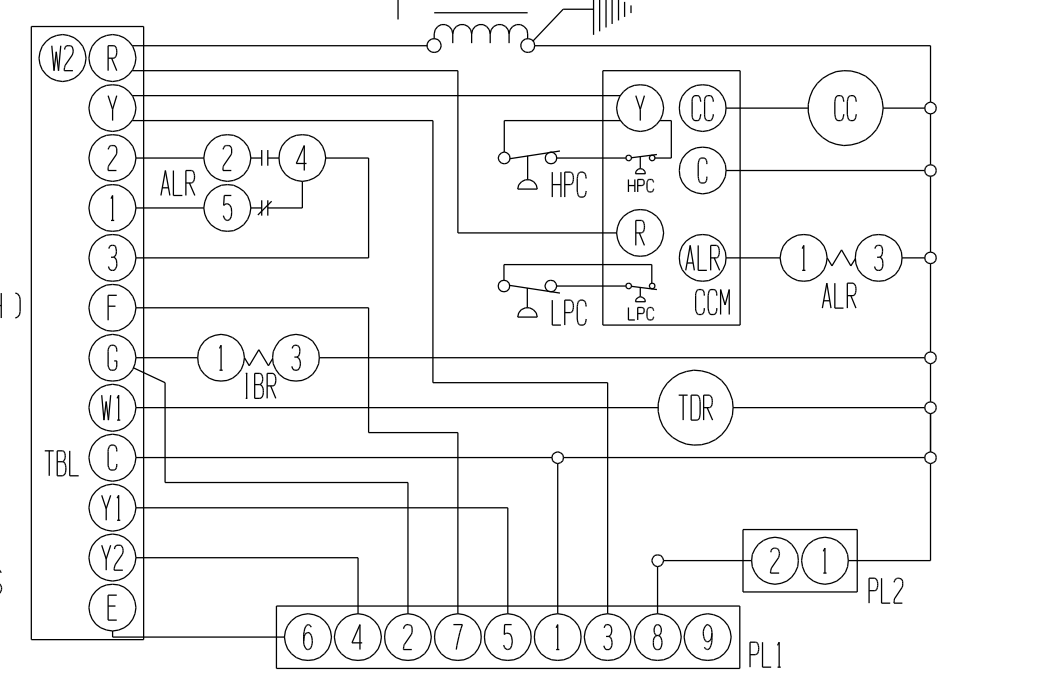
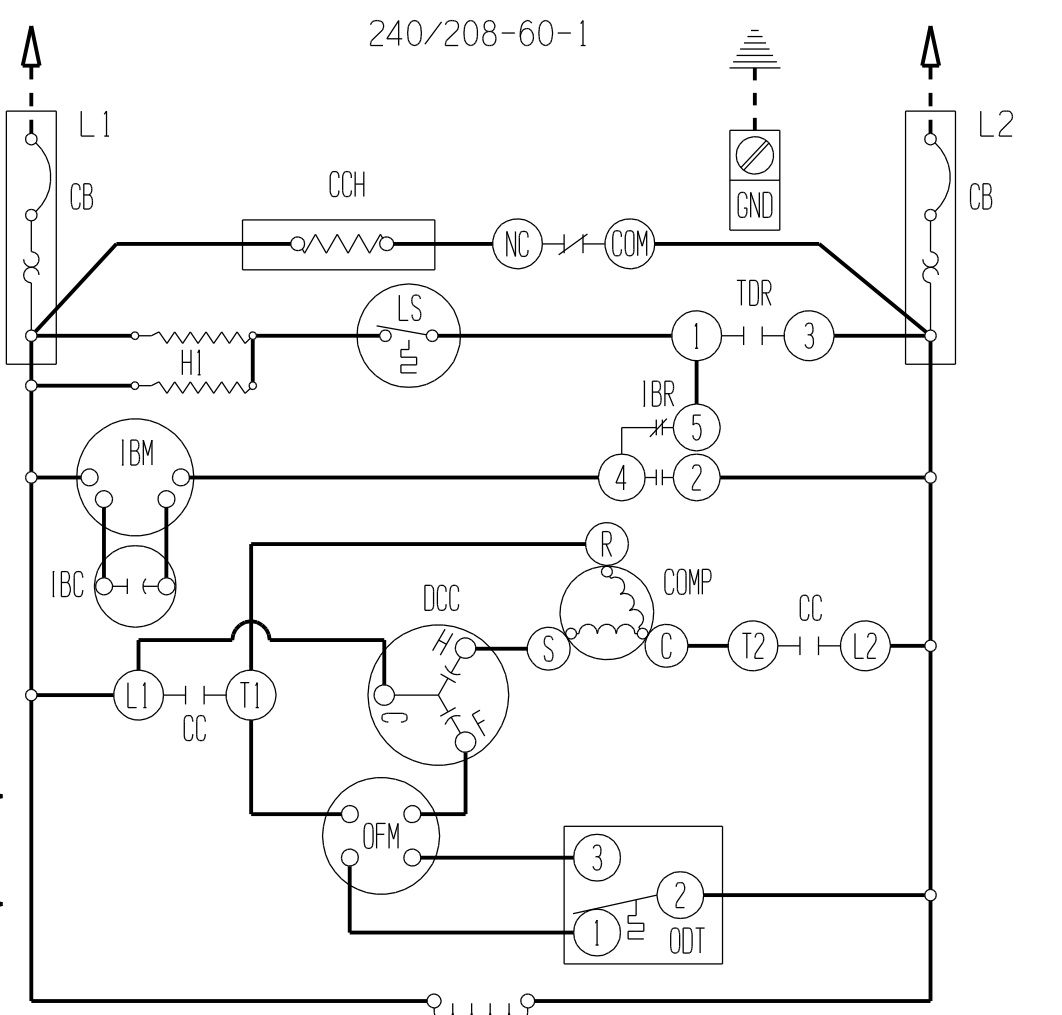
USE COPPER CONDUCTORS ONLY SUITABLE FOR AT LEAST 75° C

COMPONENT CODE

ALR	ALARM RELAY	HPC	HIGH PRESSURE CONTROL	PL1	PLUG, 9 PIN
COMP	COMPRESSOR	IBC	INDOOR BLOWER CAPACITOR	PL2	PLUG, 2 PIN
CB	CIRCUIT BREAKER	IBM	INDOOR BLOWER MOTOR	T	TRANSFORMER
CC	COMPRESSOR CONTACTOR	IBR	INDOOR BLOWER RELAY	TB	TERMINAL BLOCK
CCH	CRANKCASE HEATER	LAC	LOW AMBIENT CONTROL	TBL	LOW VOLT TERM BLOCK
CCM	COMPRESSOR CONTROL MODULE	LPC	LOW PRESSURE CONTROL	TCO	THERMAL CUTOFF
DCC	DUAL CAN CAPACITOR	LS	LIMIT SWITCH	TDR	TIME DELAY RELAY
GND	GROUND	ODT	OUTDOOR THERMOSTAT		
H1	HEAT STRIP	OFM	OUTDOOR FAN MOTOR		

USE CLASS 1 WIRING FOR ALL CONNECTIONS TO THE LOW VOLTAGE TERMINAL BLOCK

COLOR CODE			
BK	BLACK	G	GREEN
BR	BROWN	BL	BLUE
R	RED	PR	PURPLE
O	ORANGE	GY	GRAY
Y	YELLOW	PK	PINK



	HIGH VOLTAGE	LOW VOLTAGE	ACCESSORY
FACTORY STD.	---	---	---
FIELD	---	---	---
OPTIONAL	---	---	---

ALARM RELAY CONTACT RATINGS
125VA @ 24VAC

4104-121 A