

240/208-60-1

USE CLASS 1 WIRING FOR ALL CONNECTIONS TO THE LOW VOLTAGE TERMINAL BLOCK

BLUE (MED.), BLACK (HIGH) WHERE APPLICABLE
USE COPPER CONDUCTORS ONLY SUITABLE FOR AT LEAST 75°C

COMPONENT CODE

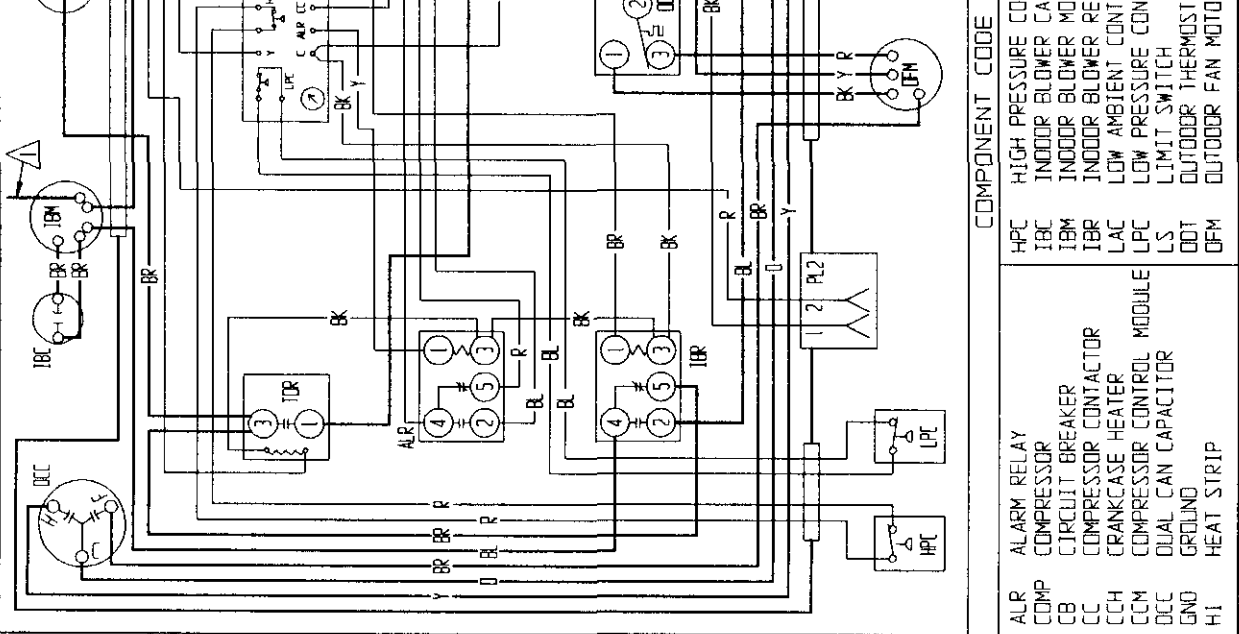
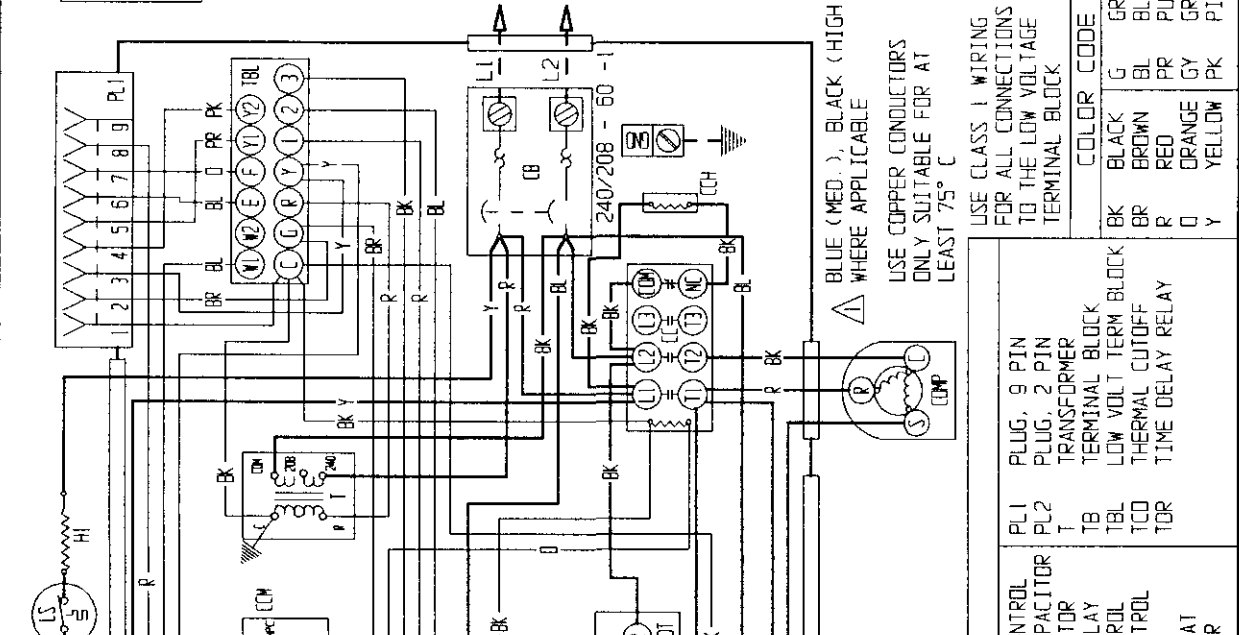
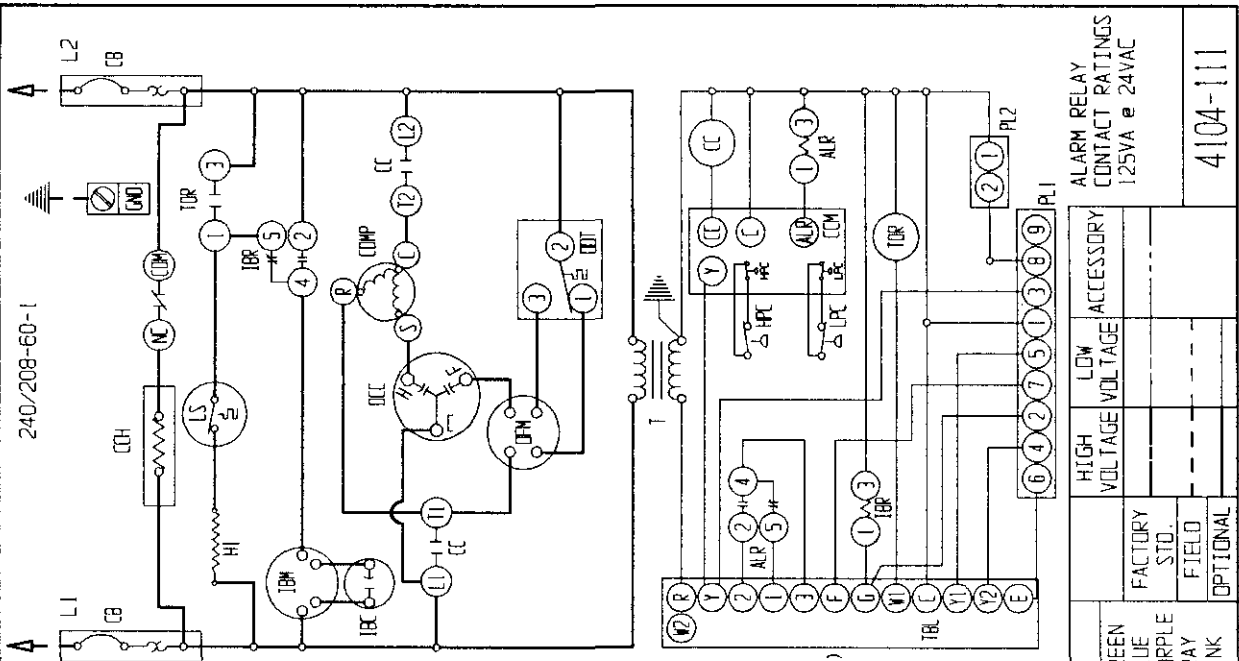
ALR	ALARM RELAY
CC	COMPRESSOR
CB	CIRCUIT BREAKER
CC	COMPRESSOR CONTACTOR
CC	CRANKCASE HEATER
CC	COMPRESSOR CONTROL
DCC	DUAL CAN CAPACITOR
GN	GROUND
HL	HEAT STRIP
HFC	HIGH PRESSURE CONTROL
IBC	INDOOR BLOWER CAPACITOR
IBM	INDOOR BLOWER MOTOR
IBR	INDOOR BLOWER RELAY
LAC	LOW AMBIENT CONTROL
LPC	LOW PRESSURE CONTROL
LS	LIMIT SWITCH
ODT	OUTDOOR THERMOSTAT
OFM	OUTDOOR FAN MOTOR
PL1	PLUG, 9 PIN
PL2	PLUG, 2 PIN
T	TRANSFORMER
TBL	TERMINAL BLOCK
TCL	LOW VOLT TERM BLOCK
TDR	THERMAL CUTOFF
TDR	TIME DELAY RELAY

COMPONENT	COLOR CODE
BK	BLACK
BR	BROWN
R	RED
O	ORANGE
Y	YELLOW
GR	GRAY
P	PINK
BL	BLUE
PR	PURPLE
VI	VIOLET
W	WHITE
GN	GREEN

FACTORY	LOW VOLTAGE	ACCESSORY
STO.		
FIELD		
OPTIONAL		

ALARM RELAY CONTACT RATINGS 125VA @ 24VAC

4104-111 A



240/208-60-1

ALR ALARM RELAY
COMP COMPRESSOR
CB CIRCUIT BREAKER
CC COMPRESSOR CONTACTOR
CCH CRANKCASE HEATER
CCM COMPRESSOR CONTROL MODULE
GND GROUND
HI HEAT STRIP

HPC HIGH PRESSURE CONTROL
IBR INDOOR BLOWER RELAY
LAC LOW AMBIENT CONTROL
LPC LOW PRESSURE CONTROL
LS LIMIT SWITCH
ODT OUTDOOR THERMOSTAT
OFM OUTDOOR FAN MOTOR

PL1 PLUG, 9 PIN
PL2 PLUG, 2 PIN
T TRANSFORMER
TB TERMINAL BLOCK
TBL LOW VOLT TERM BLOCK
TCD THERMAL CUTOFF
TOR TIME DELAY RELAY

COMPRESSOR CONTROL
BLOWER MOTOR
INDOOR BLOWER RELAY
LOW AMBIENT CONTROL
LOW PRESSURE CONTROL
LIMIT SWITCH
OUTDOOR THERMOSTAT
OUTDOOR FAN MOTOR

COMPONENT CODE

ALR ALARM RELAY
COMP COMPRESSOR
CB CIRCUIT BREAKER
CC COMPRESSOR CONTACTOR
CCH CRANKCASE HEATER
CCM COMPRESSOR CONTROL MODULE
GND GROUND
HI HEAT STRIP

HPC HIGH PRESSURE CONTROL
IBR INDOOR BLOWER RELAY
LAC LOW AMBIENT CONTROL
LPC LOW PRESSURE CONTROL
LS LIMIT SWITCH
ODT OUTDOOR THERMOSTAT
OFM OUTDOOR FAN MOTOR

PL1 PLUG, 9 PIN
PL2 PLUG, 2 PIN
T TRANSFORMER
TB TERMINAL BLOCK
TBL LOW VOLT TERM BLOCK
TCD THERMAL CUTOFF
TOR TIME DELAY RELAY

COMPRESSOR CONTROL
BLOWER MOTOR
INDOOR BLOWER RELAY
LOW AMBIENT CONTROL
LOW PRESSURE CONTROL
LIMIT SWITCH
OUTDOOR THERMOSTAT
OUTDOOR FAN MOTOR

COMPONENT CODE

BLUE (MED.), BLACK (HIGH) WHERE APPLICABLE

USE COPPER CONDUCTORS ONLY SUITABLE FOR AT LEAST 75° C

USE CLASS 1 WIRING FOR ALL CONNECTIONS TO THE LOW VOLTAGE TERMINAL BLOCK

COLOR CODE	FACTORY STD.	FIELD	OPTIONAL
BK	BLACK		
BR	BROWN		
R	RED		
Y	YELLOW		
BL	BLUE		
PK	PINK		
G	GREEN		
PR	PURPLE		
GY	GRAY		

HIGH VOLTAGE	LOW VOLTAGE	ACCESSORY
6	1	
4	2	
2	3	
7	4	
5	5	
3	6	
8	7	
9	8	
	9	

ALARM RELAY CONTACT RATINGS 125VA @ 24VAC

4104-111