

240/208-60-1

240/208-60-1

BLUE (MED.), BLACK (HIGH)
WHERE APPLICABLE
USE COPPER CONDUCTORS
ONLY SUITABLE FOR AT
LEAST 75° C

USE CLASS 1 WIRING
FOR ALL CONNECTIONS
TO THE LOW VOLTAGE
TERMINAL BLOCK

COMPONENT CODE

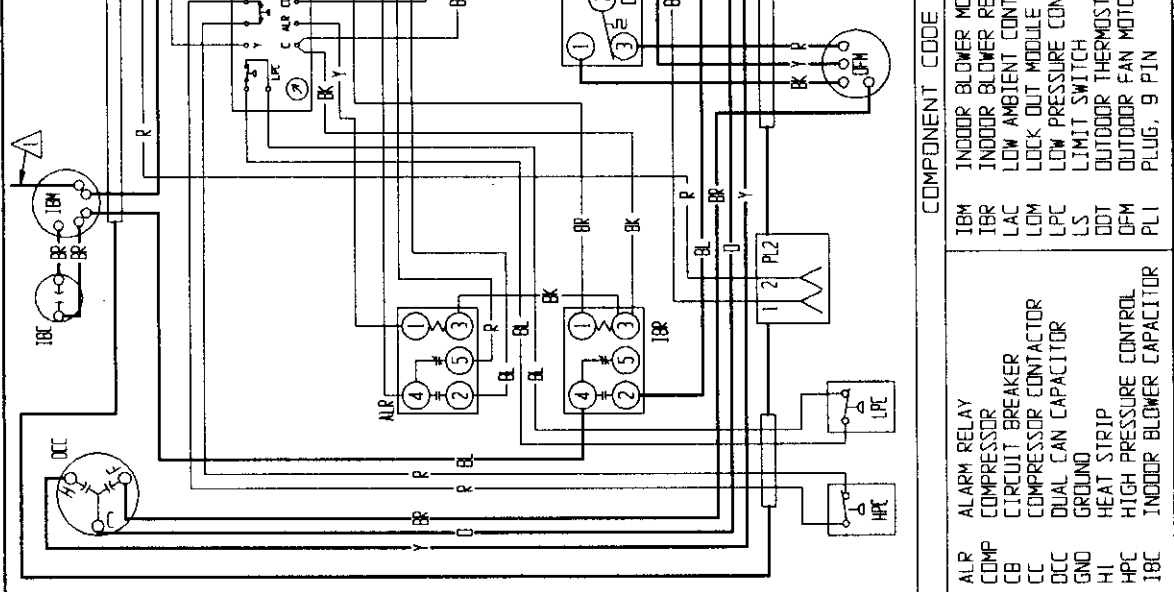
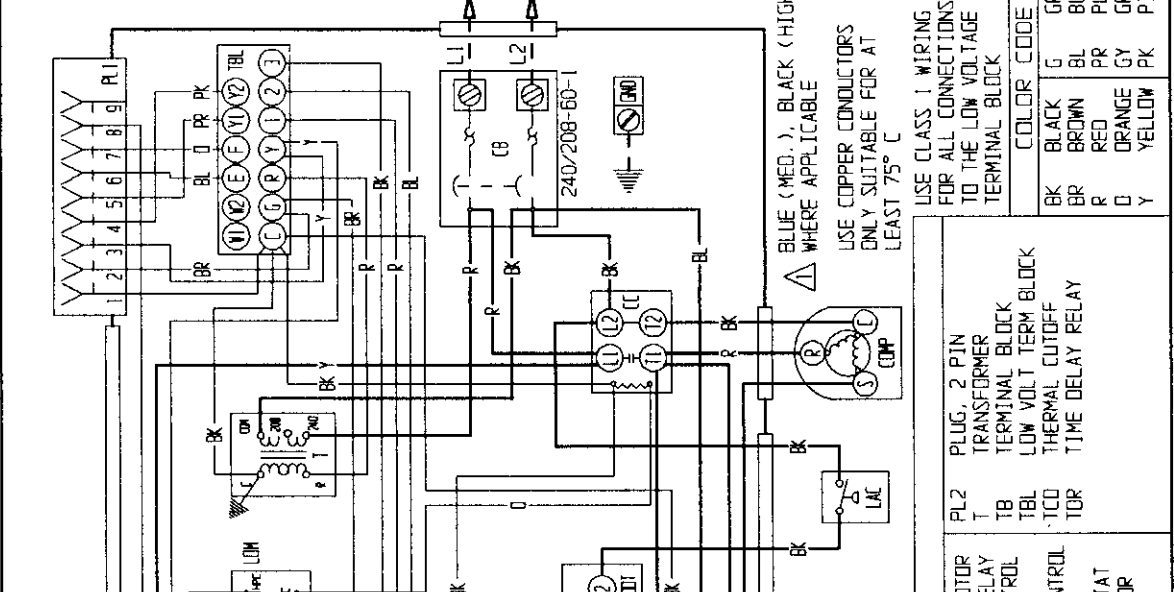
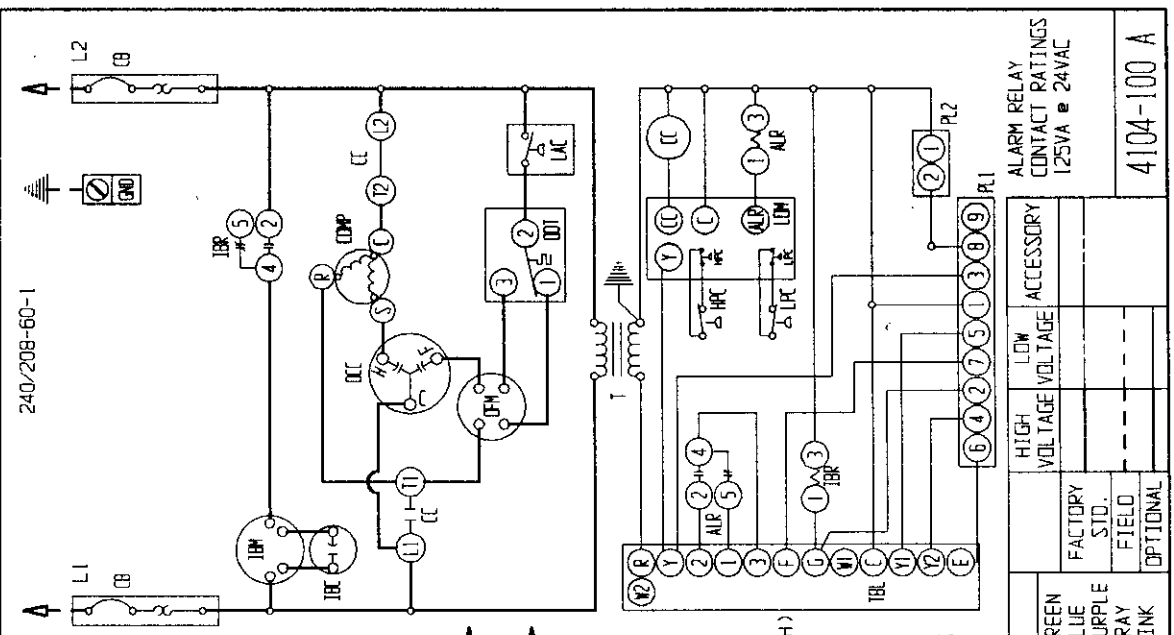
ALR	ALARM RELAY	T	TRANSFORMER
COMP	COMPRESSOR	IBR	INDOOR BLOWER RELAY
CB	CIRCUIT BREAKER	LAC	LOW VOLT TERM BLOCK
CC	COMPRESSOR CONTACTOR	LPC	LOW AMBIENT CONTROL
CCM	COMPRESSOR CONTROL MODULE	LPS	LOW PRESSURE CONTROL
DCC	DUAL CAN CAPACITOR	LMT	LIMIT SWITCH
GND	GROUND	OTD	OUTDOOR THERMOSTAT
HPC	HIGH PRESSURE CONTROL	DFM	OUTDOOR FAN MOTOR
		PL1	PLUG, 9 PIN
		PL2	PLUG, 2 PIN

COLOR CODE	GREEN	HIGH VOLTAGE	ACCESSORY
BK	BLACK	VOLTAGE	
BR	BROWN		
R	RED		
O	ORANGE		
Y	YELLOW		
G	GREEN		
BL	BLUE		
BR	BROWN		
PR	PURPLE		
GY	GRAY		
PK	PINK		

ALARM RELAY
CONTACT RATINGS
125VA @ 24VAC

4104-100 B

240/208-60-1



BLUE (MED.), BLACK (HIGH)
WHERE APPLICABLE

USE COPPER CONDUCTORS
ONLY SUITABLE FOR AT
LEAST 75° C

USE CLASS 1 WIRING
FOR ALL CONNECTIONS
TO THE LOW VOLTAGE
TERMINAL BLOCK

COLOR CODE	
BK	BLACK
BR	BROWN
R	RED
D	ORANGE
Y	YELLOW
G	GREEN
BL	BLUE
PR	PURPLE
GY	GRAY
PK	PINK

COMPONENT CODE	
ALR	ALARM RELAY
COMP	COMPRESSOR
CB	CIRCUIT BREAKER
CC	COMPRESSOR CONTACTOR
DCC	DUAL CAN CAPACITOR
GND	GROUND
HI	HEAT STRIP
HPC	HIGH PRESSURE CONTROL
IBR	INDOOR BLOWER RELAY
IBM	INDOOR BLOWER MOTOR
LAC	LOW AMBIENT CONTROL
LOM	LOCK OUT MODULE
LPC	LOW PRESSURE CONTROL
LS	LIMIT SWITCH
ODT	OUTDOOR THERMOSTAT
OFM	OUTDOOR FAN MOTOR
PL1	PLUG, 9 PIN
PL2	PLUG, 2 PIN
T	TRANSFORMER
TBL	TERMINAL BLOCK
TCD	LOW VOLT TERM BLOCK
TOR	THERMAL CUTOFF
TDR	TIME DELAY RELAY

ALARM RELAY CONTACT RATINGS	
HIGH VOLTAGE	125VA @ 24VAC
LOW VOLTAGE	
ACCESSORY	

FACTORY FIELD OPTIONAL	
FACTORY STD.	
FIELD	
OPTIONAL	

4104-100 A