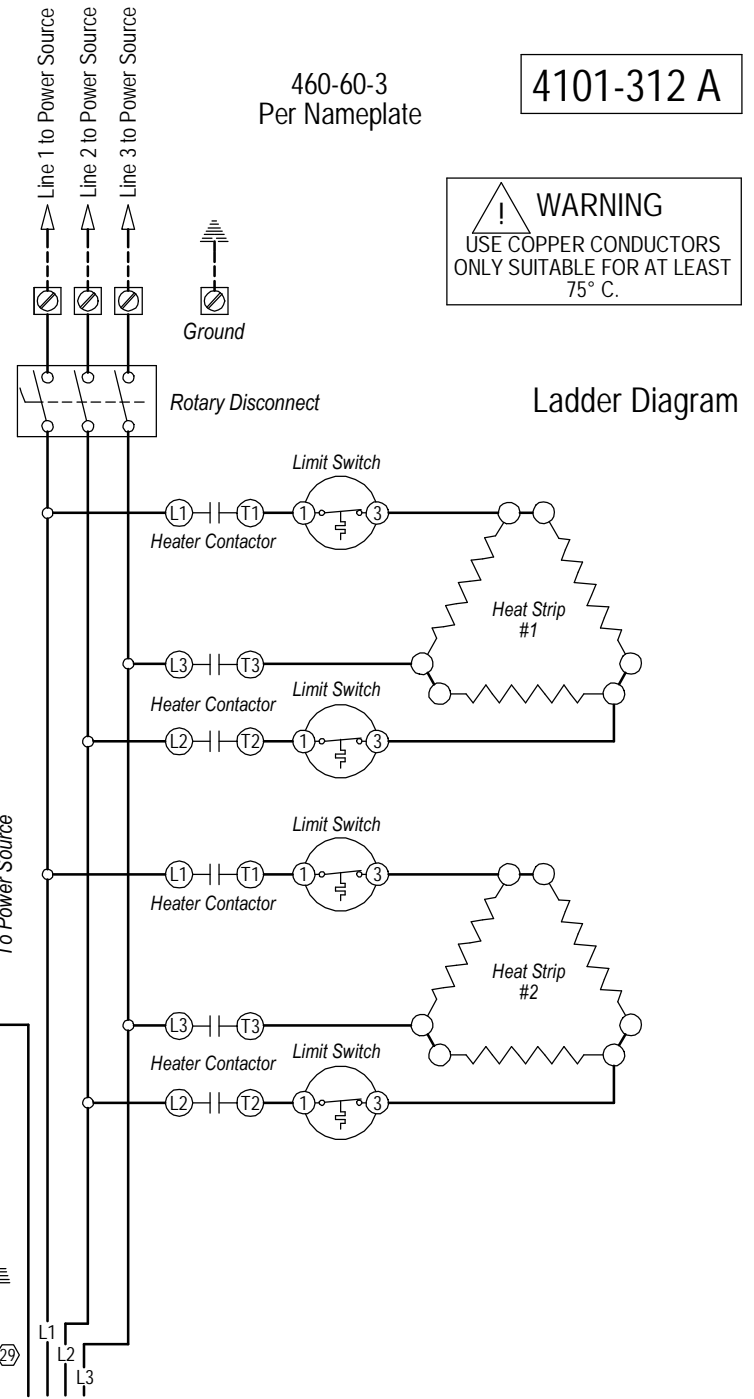
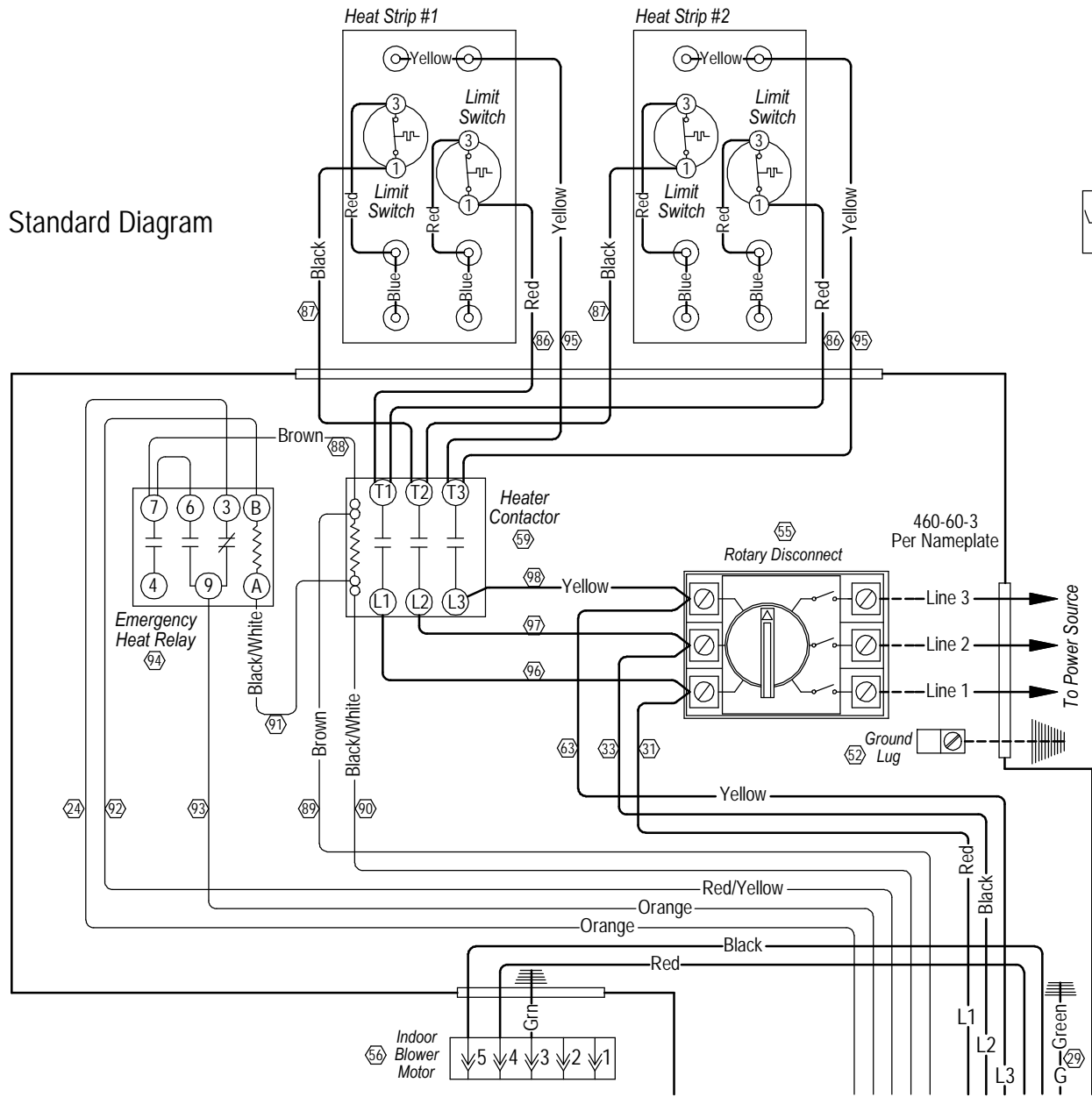


Standard Diagram



4101-312 A

460-60-3
Per Nameplate

WARNING
USE COPPER CONDUCTORS
ONLY SUITABLE FOR AT LEAST
75° C.

Ladder Diagram