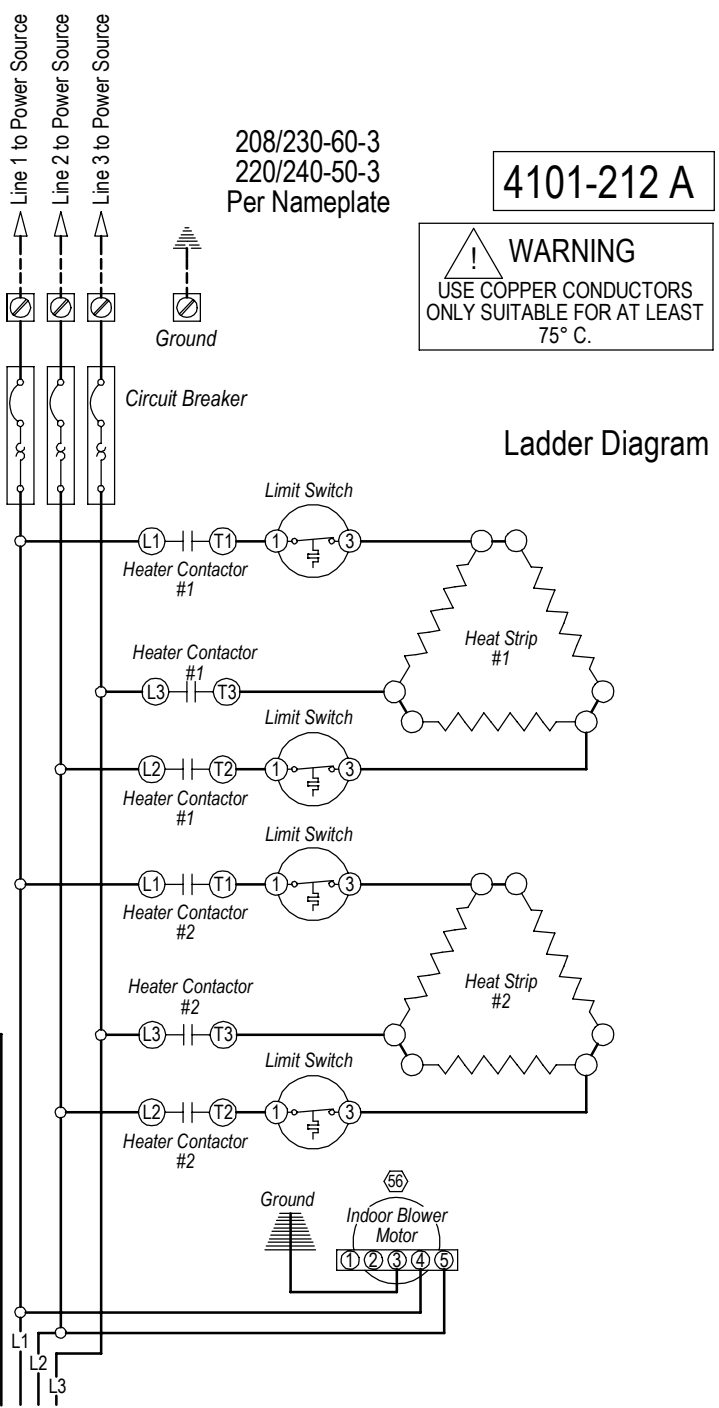
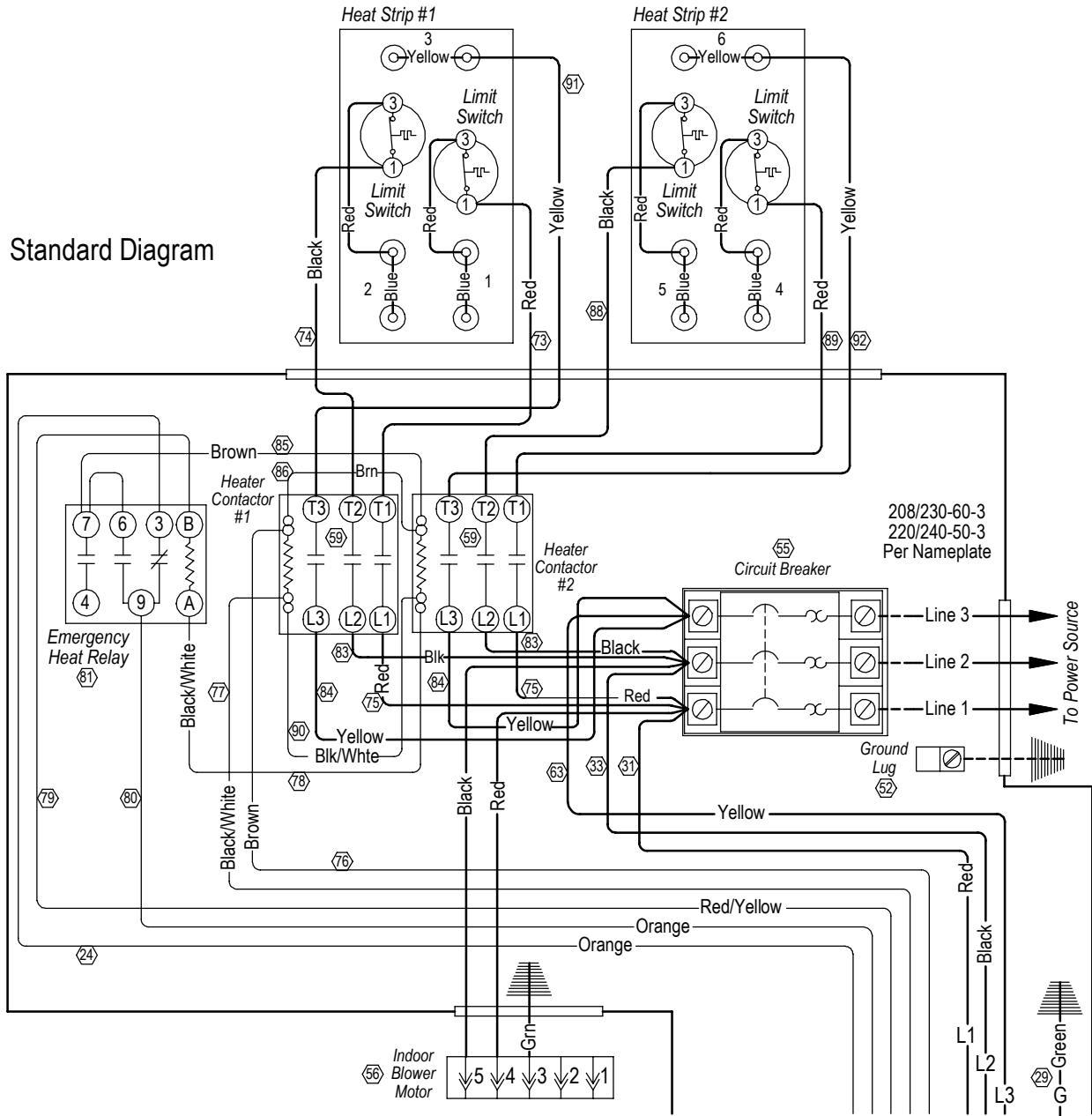


Standard Diagram



208/230-60-3  
220/240-50-3  
Per Nameplate

4101-212 A

**WARNING**  
USE COPPER CONDUCTORS  
ONLY SUITABLE FOR AT LEAST  
75° C.

Ladder Diagram