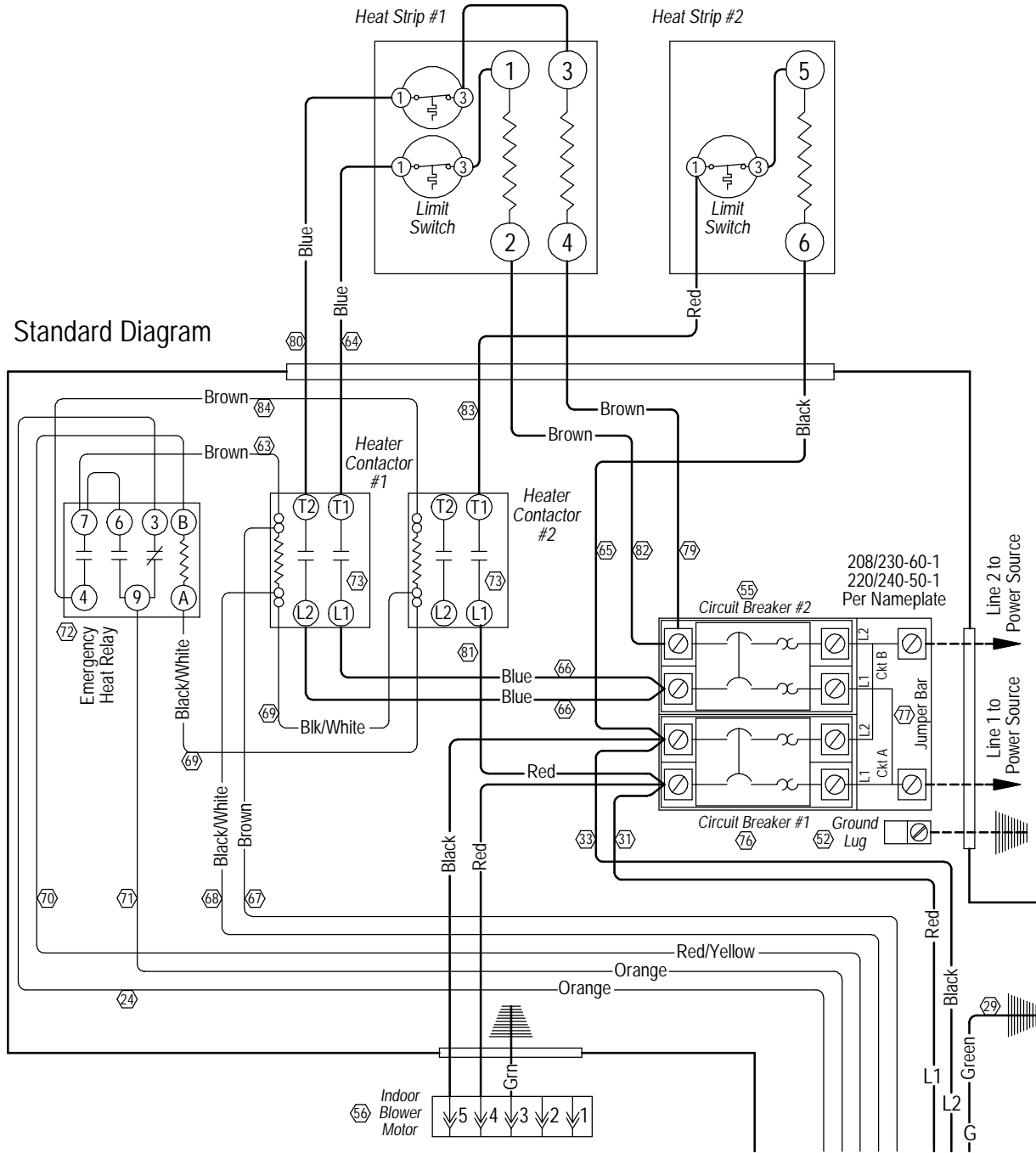


Standard Diagram



WARNING
USE COPPER CONDUCTORS
ONLY SUITABLE FOR AT LEAST
75° C.

4101-116
Ladder Diagram

