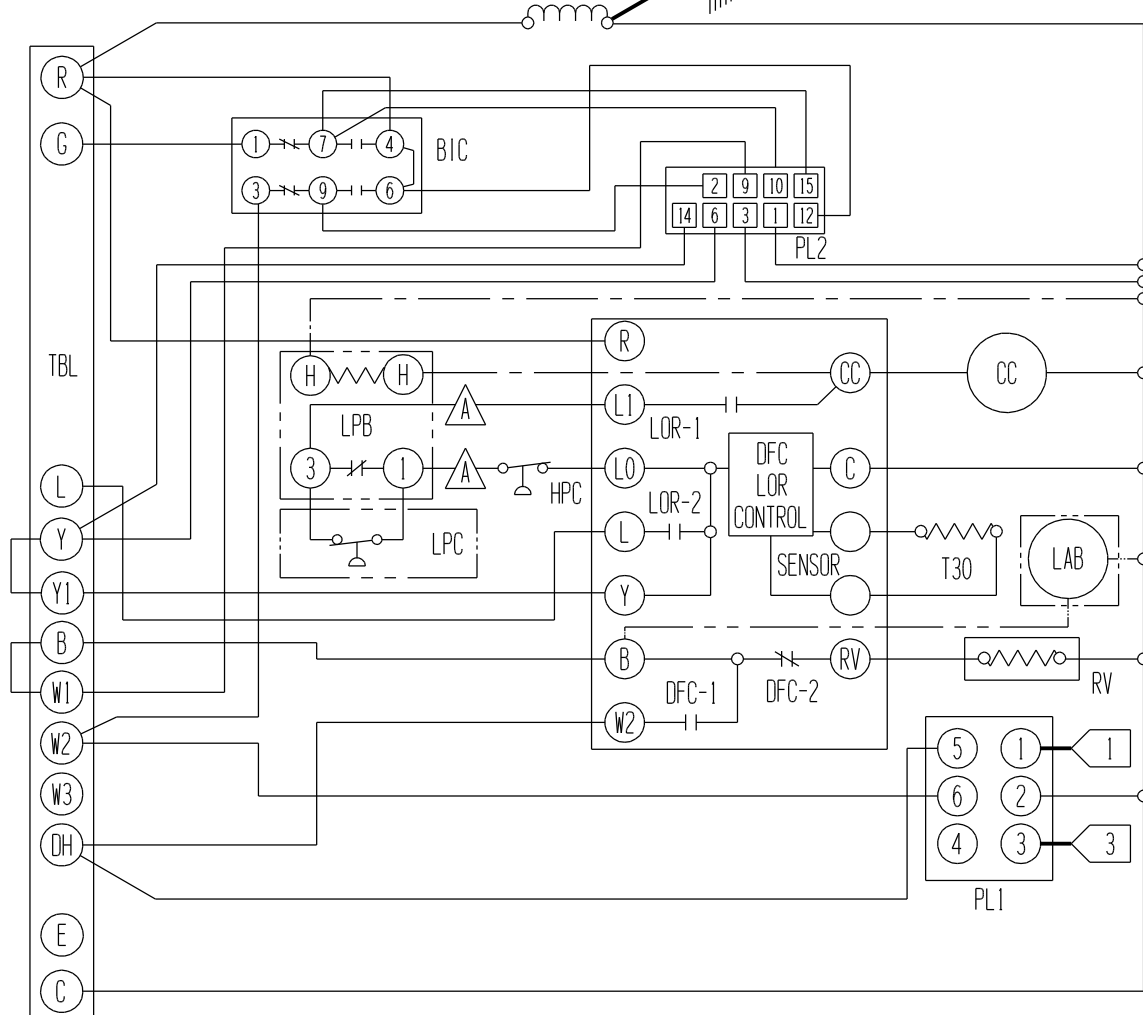
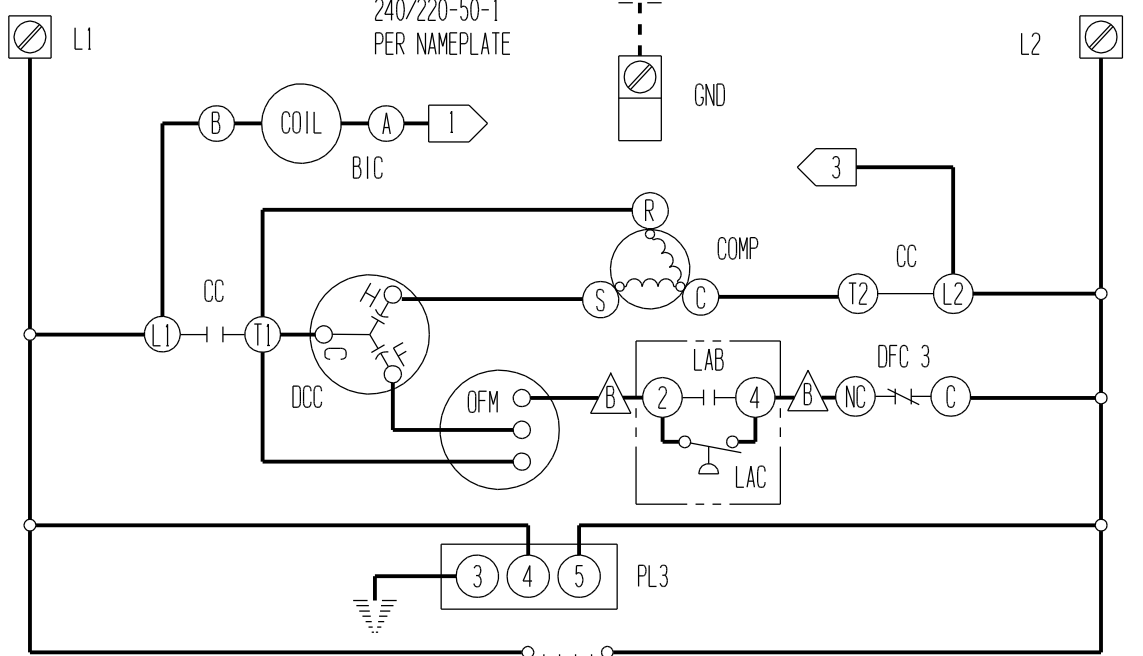


USE COPPER CONDUCTORS ONLY
SUITABLE FOR AT LEAST 75° C

230/208-60-1
240/220-50-1
PER NAMEPLATE



COMPONENT CODE			
BIC	BLOWER INTERLOCK RELAY	OFM	OUTDOOR FAN MOTOR
CC	COMPRESSOR CONTACTOR	PL1	PLUG #1
COMP	COMPRESSOR	PL2	PLUG #2
DCC	DUAL CAN CAPACITOR	PL3	PLUG #3
DFC	DEFROST CONTROL	RV	REV. VALVE SOLINOID
GND	EQUIPMENT GROUND	T	TRANSFORMER
HPC	HIGH PRESSURE CONTROL	TB	TERMINAL BLOCK
LAC	LOW AMBIENT BYPASS CONTROL	TBL	LOW VOLTAGE TERMINAL BLOCK
LPB	LOW PRESSURE BYPASS		
LPC	LOW PRESSURE CONTROL		

CAPACITOR	PART NO.	MODEL
45/5 370	8552-052	PH1224

	Labeled Wires Connect if No Options Used.			Color Code			BARD MFG. CO.					
	Factory Std.	Field	Optional	Color	Color	Color						
HIGH VOLTAGE	—	- - -	- - - -	BK	BLACK	Y	YELLOW	V	VIOLET	T	TAN	4098-123 A
LOW VOLTAGE	—	- - -	- - - -	BR	BROWN	G	GREEN	(PR)	PURPLE	PK	PINK	
ACCESSORY	—	- - -	- - - -	R	RED	BL	BLUE	GY	GRAY	L	LAVENDER	
				O	ORANGE	W	WHITE	(S)	SLATE			

△, △ Labeled wires connect if no options used. △ MOVE RED WIRE TO 208V TAP FOR 208V OPERATION