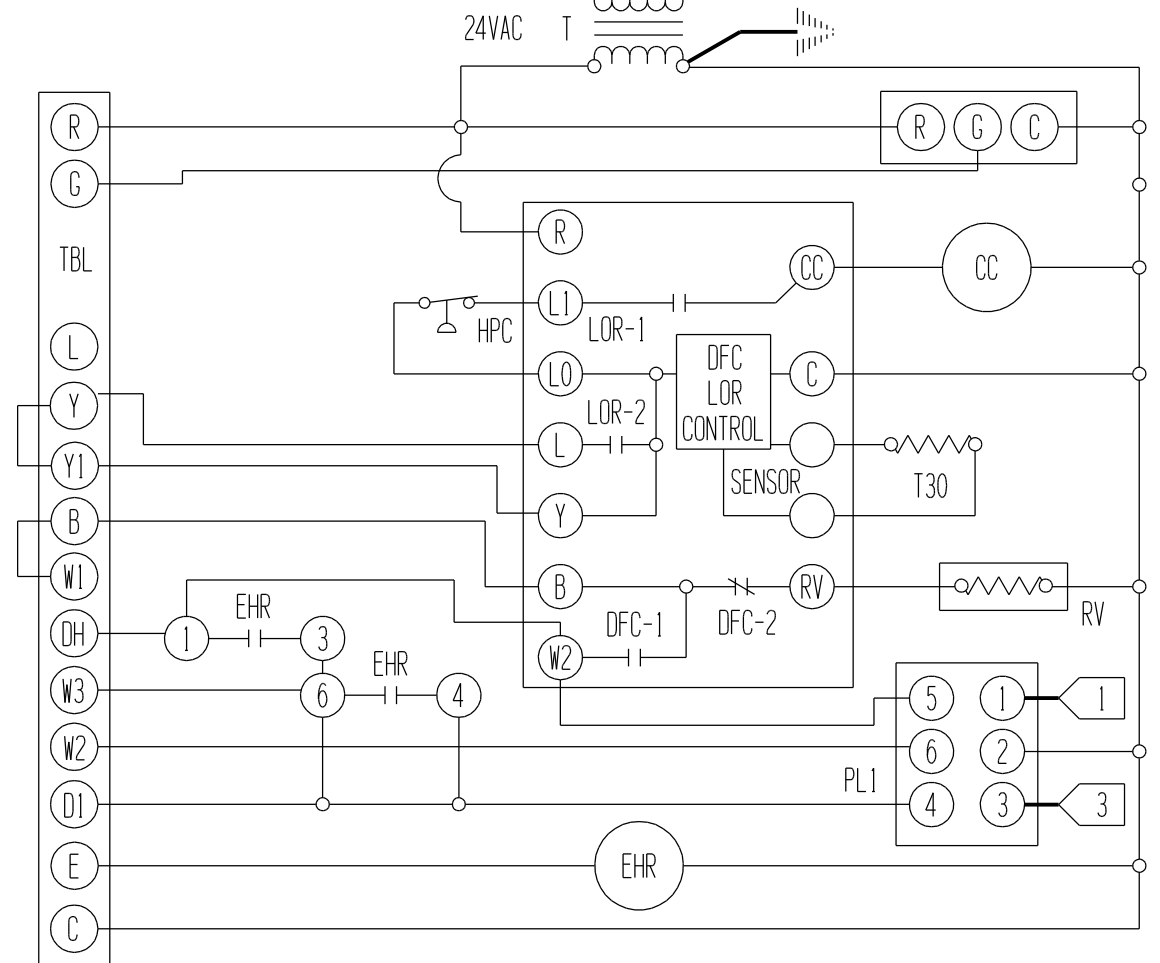
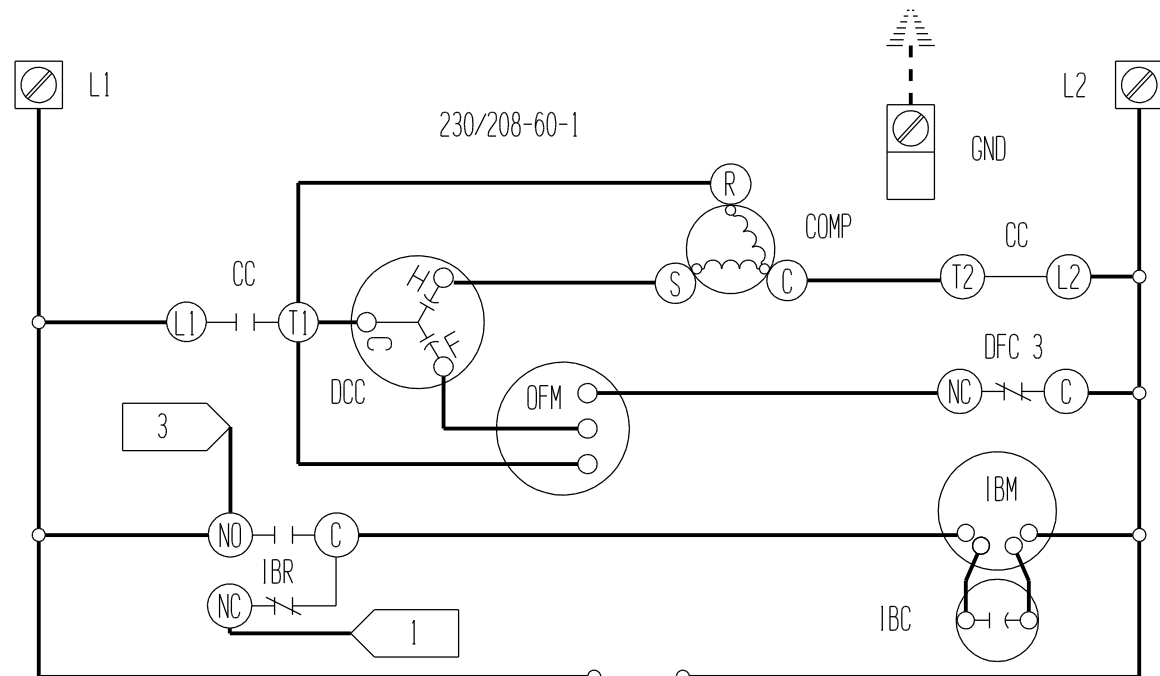
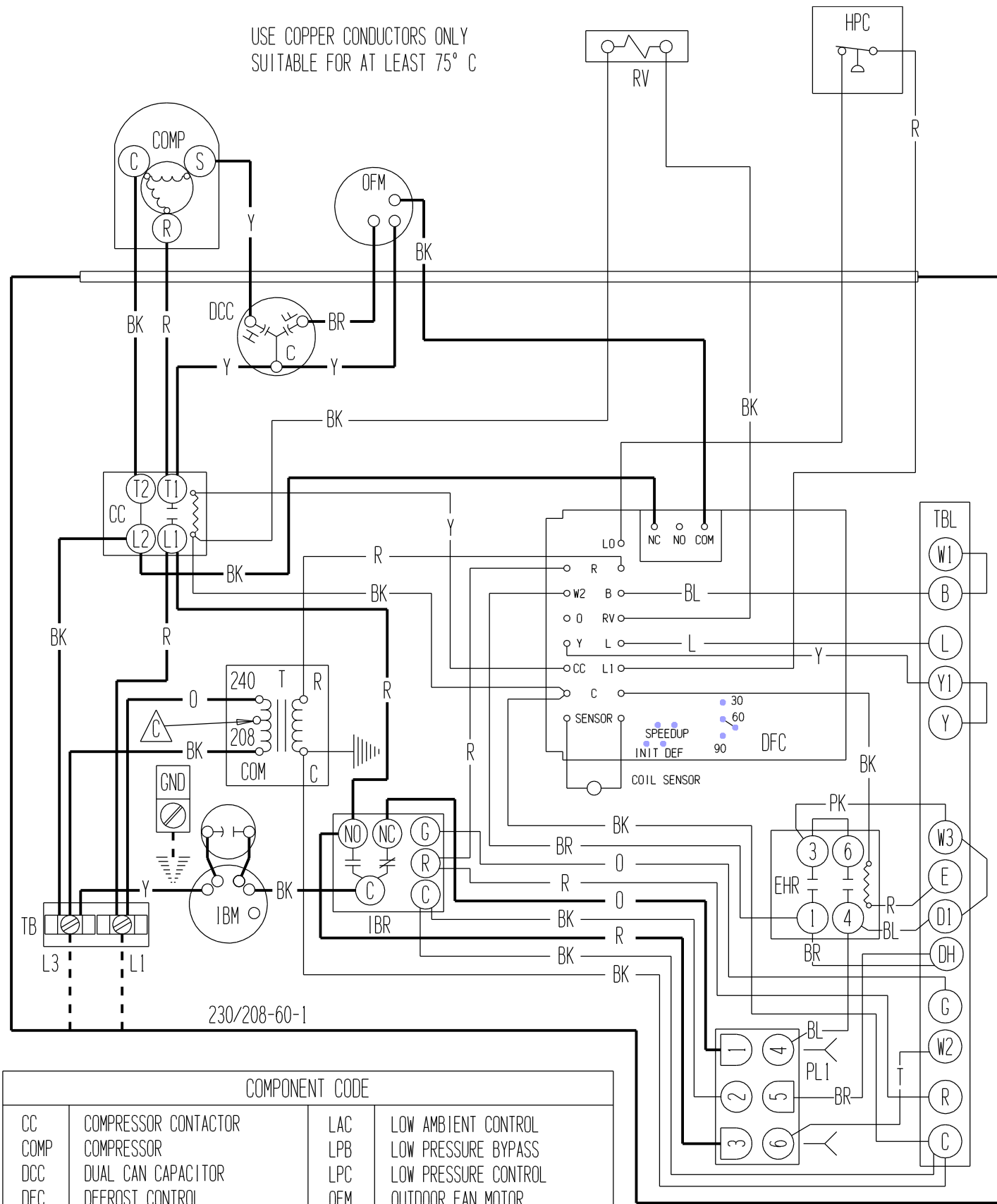


USE COPPER CONDUCTORS ONLY
SUITABLE FOR AT LEAST 75° C



| COMPONENT CODE | | | |
|----------------|----------------------------|-----|----------------------------|
| CC | COMPRESSOR CONTACTOR | LAC | LOW AMBIENT CONTROL |
| COMP | COMPRESSOR | LPB | LOW PRESSURE BYPASS |
| DCC | DUAL CAN CAPACITOR | LPC | LOW PRESSURE CONTROL |
| DFC | DEFROST CONTROL | OFM | OUTDOOR FAN MOTOR |
| EHR | EMERGENCY HEAT RELAY | PL1 | PLUG #1 |
| GND | EQUIPMENT GROUND | RV | REV. VALVE SOLINOID |
| HPC | HIGH PRESSURE CONTROL | T | TRANSFORMER |
| IBC | INDOOR BLOWER CAPACITOR | TB | TERMINAL BLOCK |
| IBM | INDOOR BLOWER MOTOR | TBL | LOW VOLTAGE TERMINAL BLOCK |
| IBR | INDOOR BLOWER RELAY | | |
| LAB | LOW AMBIENT BYPASS CONTROL | | |

A , B LABELED WIRES CONNECT IF NO OPTIONS USED.

A MOVE RED WIRE TO 208V TAP FOR 208V OPERATION

A RED (LOW) BLACK (HIGH) WHERE APPLICABLE

| | FACTORY STD. | FIELD | OPTIONAL | COLOR CODE | | | | | | | |
|--------------|--------------|-------|----------|------------|--------|----|--------|------|--------|----|----------|
| HIGH VOLTAGE | ———— | ----- | ----- | BK | BLACK | Y | YELLOW | V | VIOLET | T | TAN |
| LOW VOLTAGE | ———— | ----- | ----- | BR | BROWN | G | GREEN | (PR) | PURPLE | PK | PINK |
| ACCESSORY | ———— | ----- | ----- | R | RED | BL | BLUE | GY | GRAY | L | LAVENDER |
| | | | | O | ORANGE | W | WHITE | (S) | SLATE | | |

BARD MFG. CO.

4098-115 A