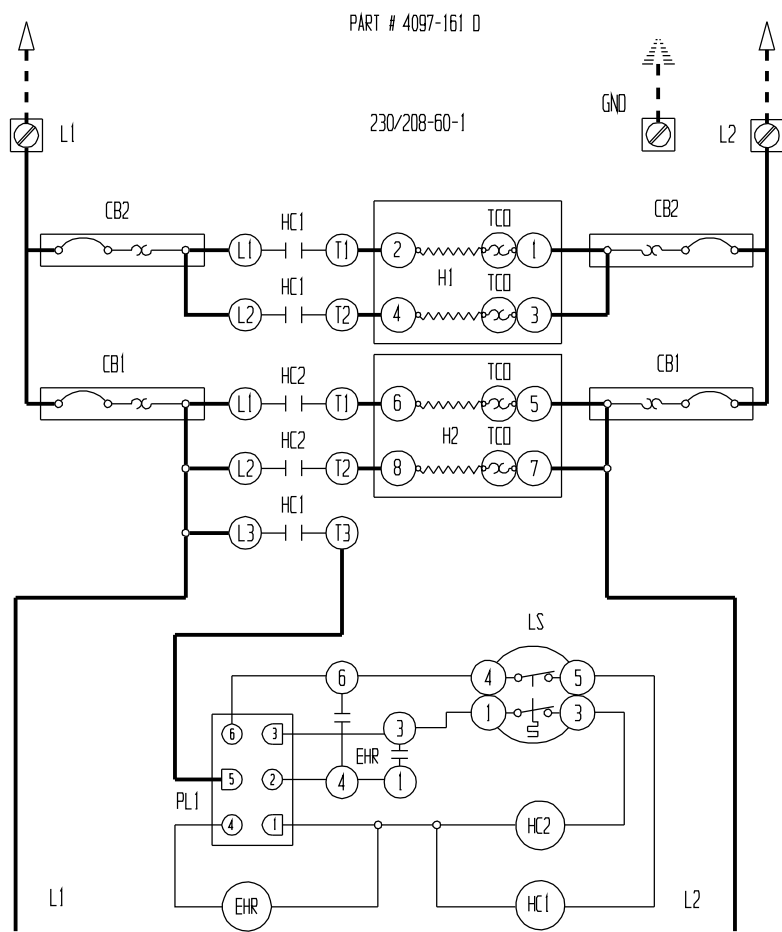


USE COPPER CONDUCTORS  
ONLY SUITABLE FOR  
AT LEAST 75° C



PART # 4097-161 D

230/208-60-1

L1

L2