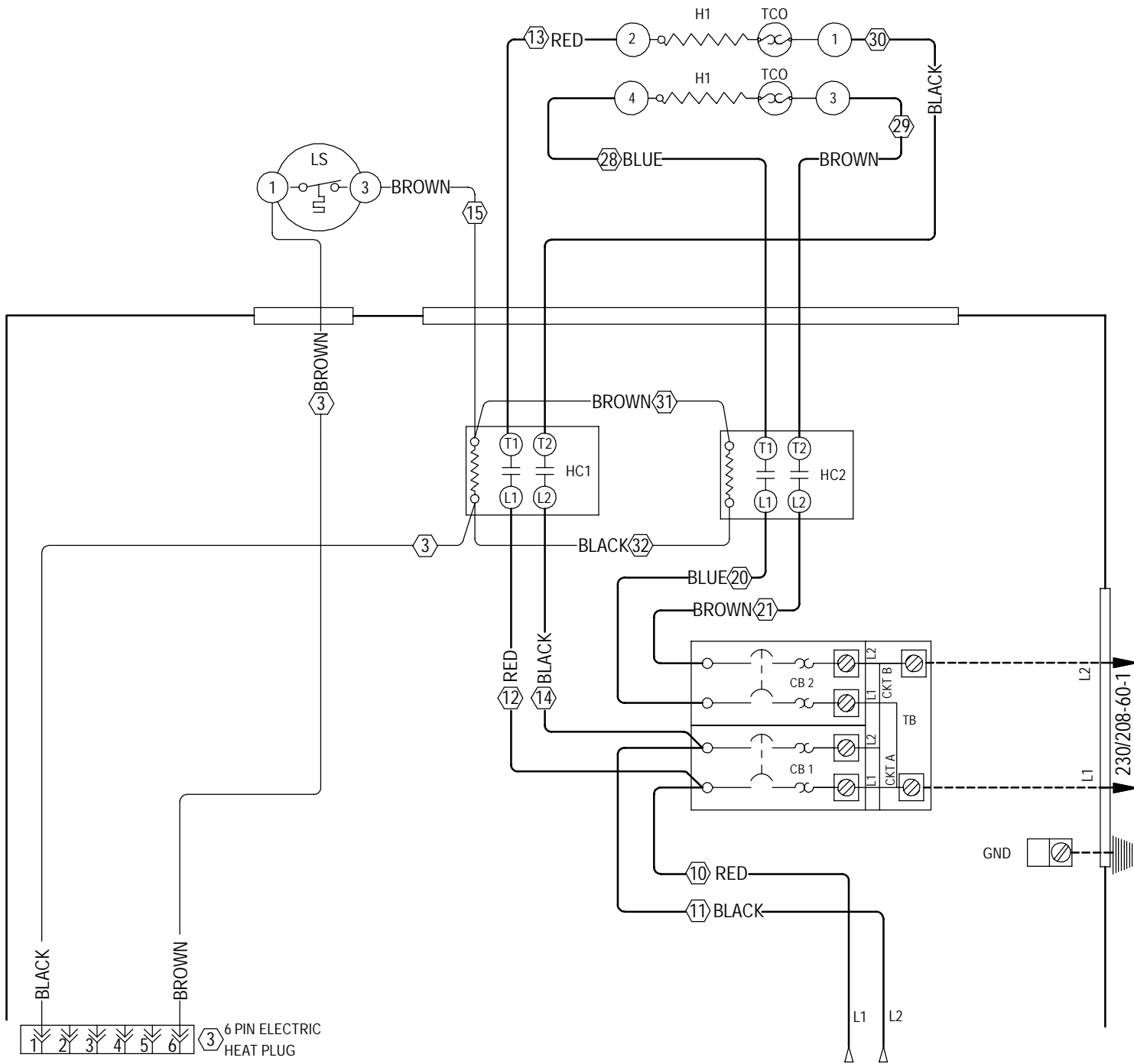


WARNING
 USE COPPER CONDUCTORS
 ONLY SUITABLE FOR AT LEAST
 75° C.

DANGER
 *ELECTRICAL SHOCK HAZARD
 *DISCONNECT POWER BEFORE
 SERVICING.



6 PIN ELECTRIC HEAT PLUG