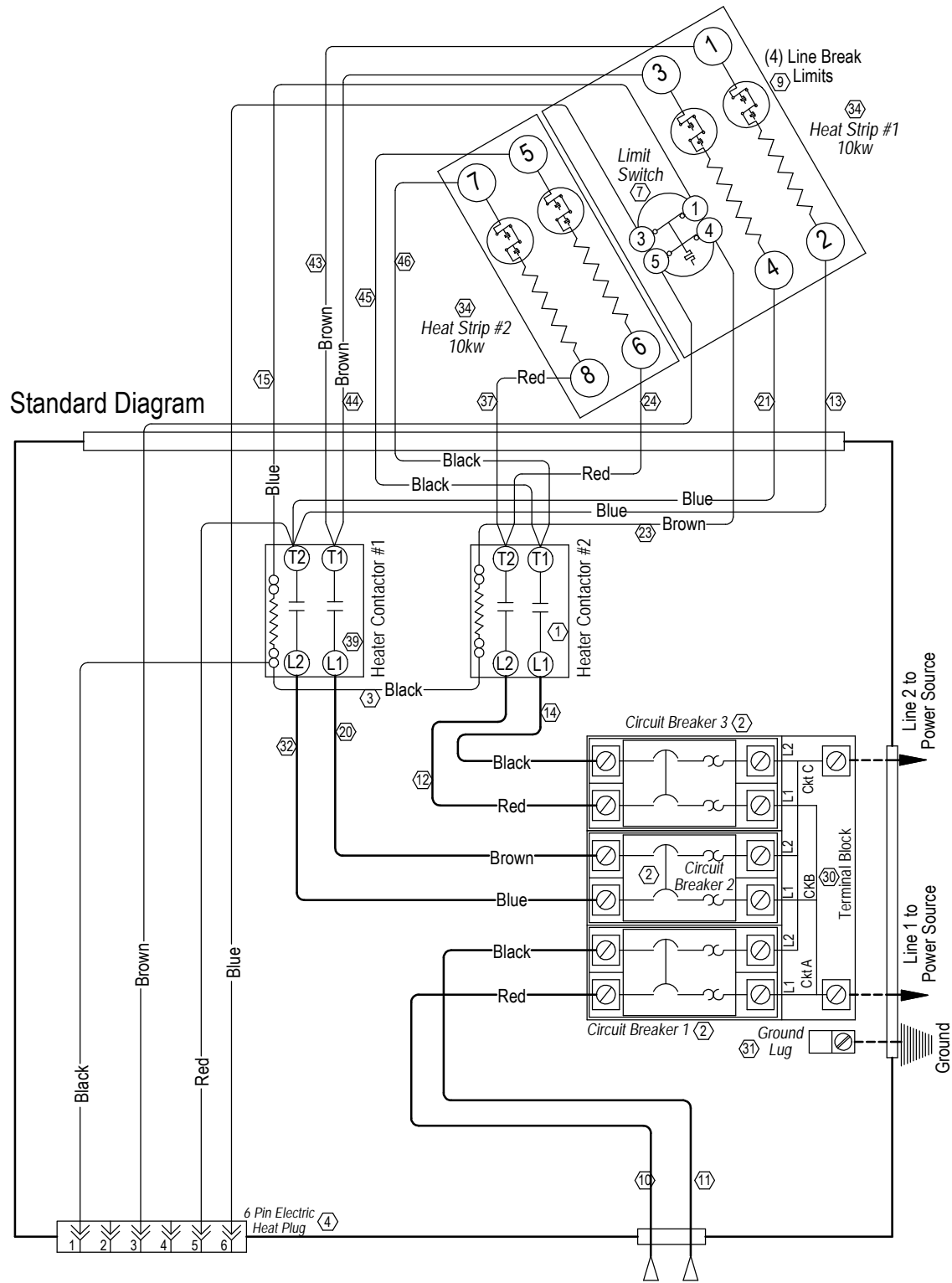


Standard Diagram



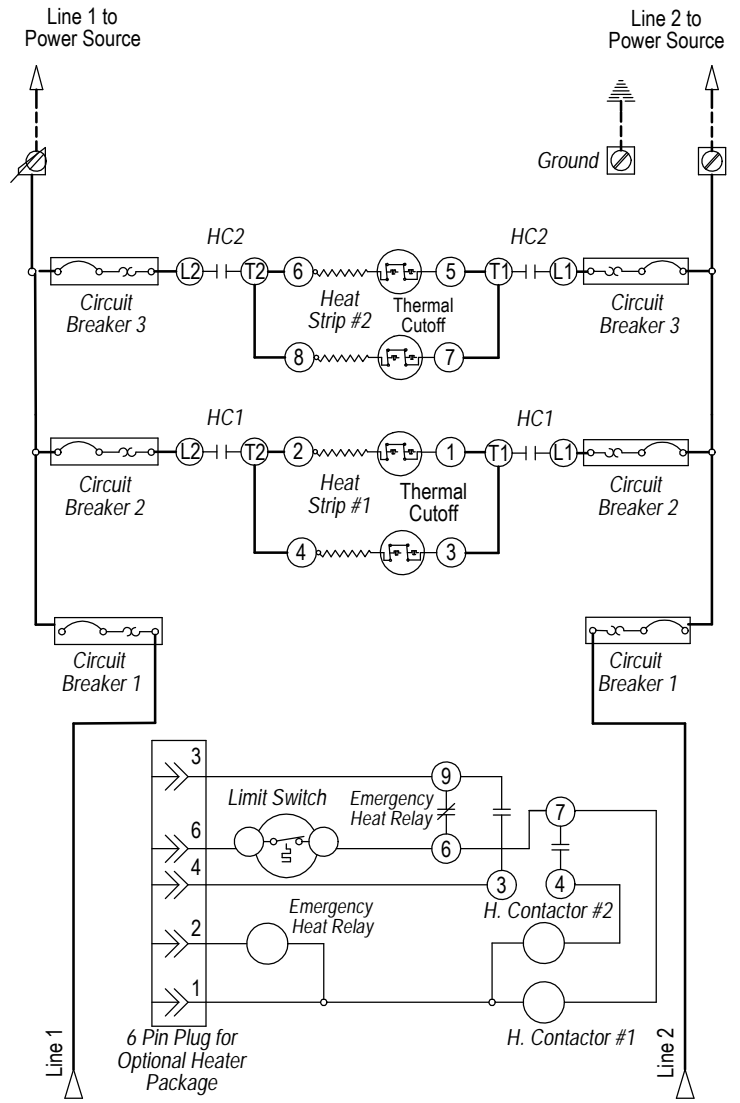
WARNING
 USE COPPER CONDUCTORS
 ONLY SUITABLE FOR AT LEAST
 75° C.

DANGER
 *ELECTRICAL SHOCK HAZARD
 *DISCONNECT POWER BEFORE
 SERVICING.

4097-1003
 Heater Package
 Assembly

Ladder Diagram

230/208-60-1
 Power Source



6 Pin Plug for
 Optional Heater
 Package