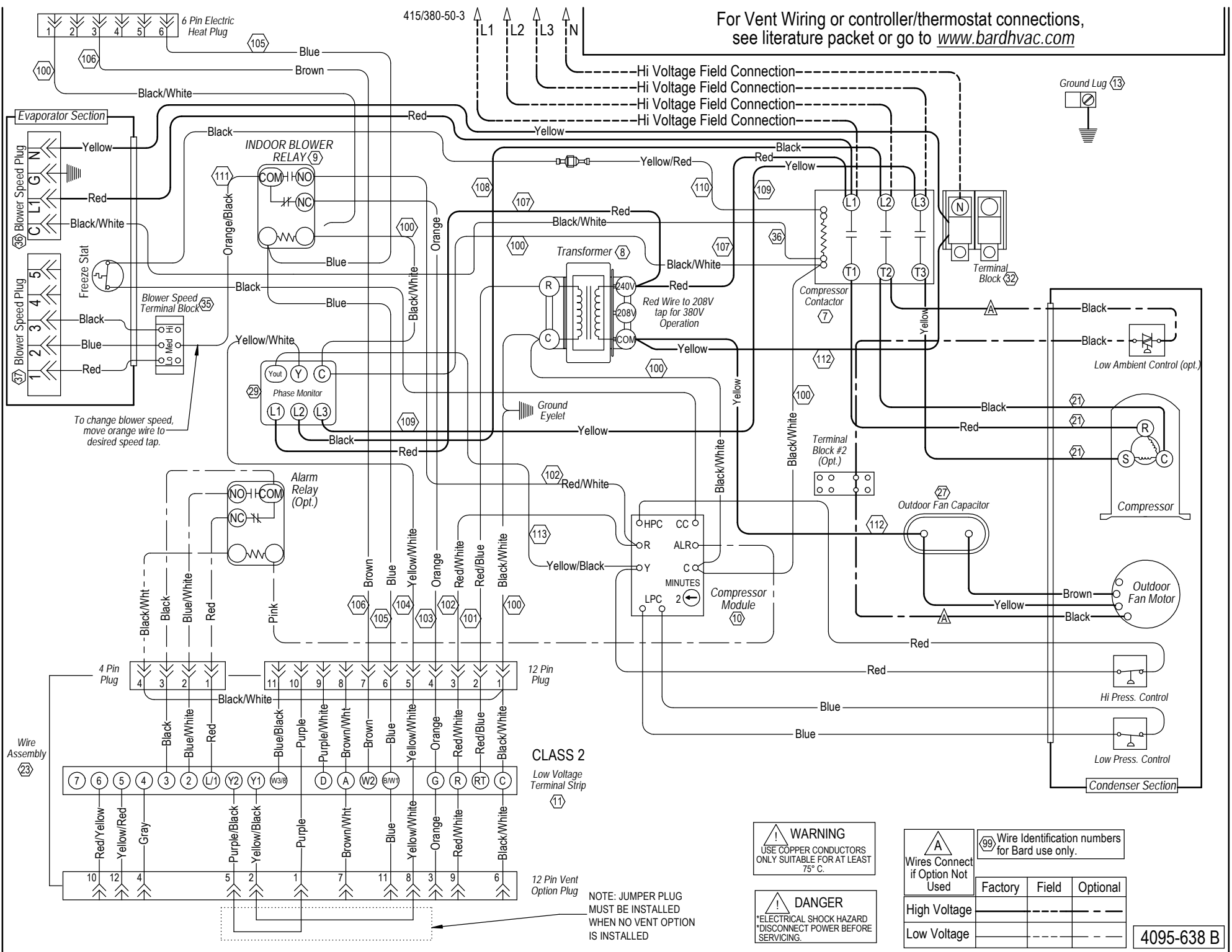


For Vent Wiring or controller/thermostat connections, see literature packet or go to www.bardhvac.com



To change blower speed, move orange wire to desired speed tap.

CLASS 2
Low Voltage Terminal Strip
11

 Wires Connect if Option Not Used	Wire Identification numbers for Bard use only.		
	Factory	Field	Optional
High Voltage			
Low Voltage			

4095-638 B