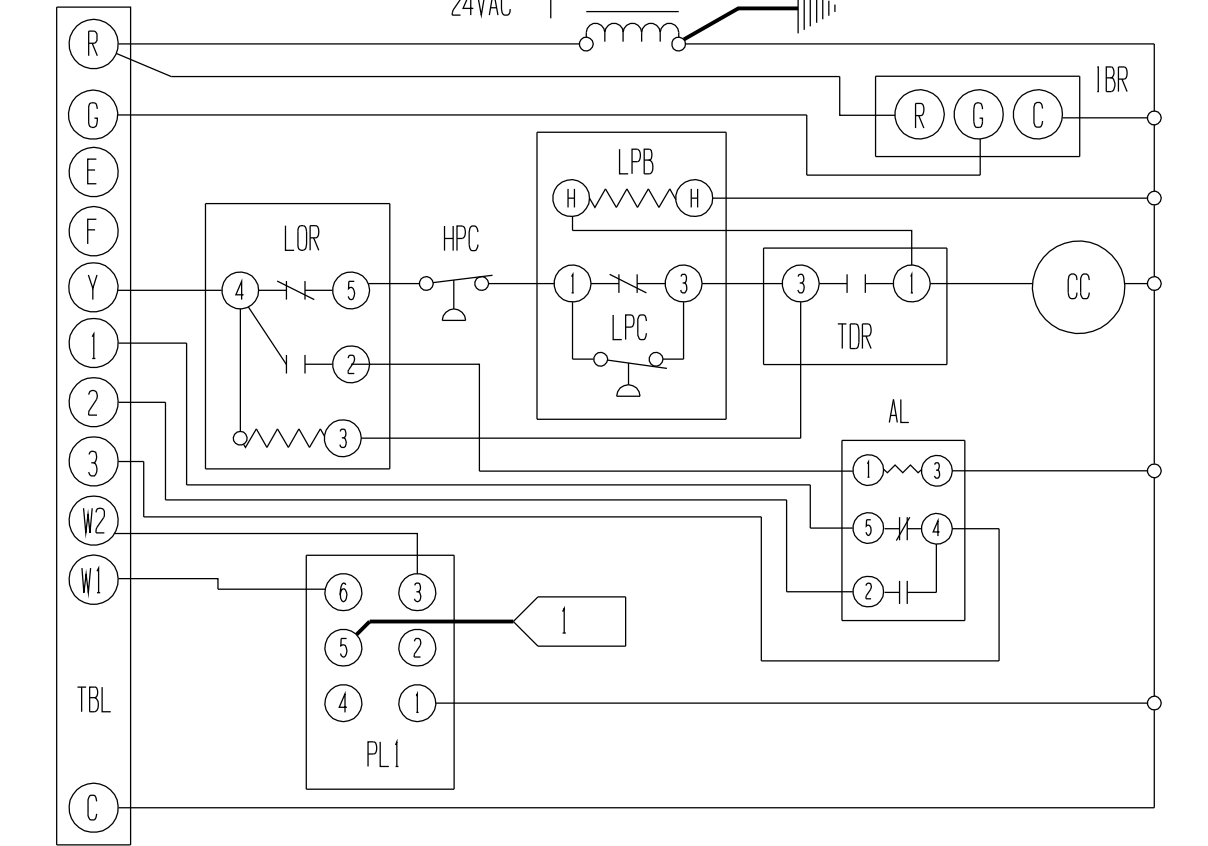
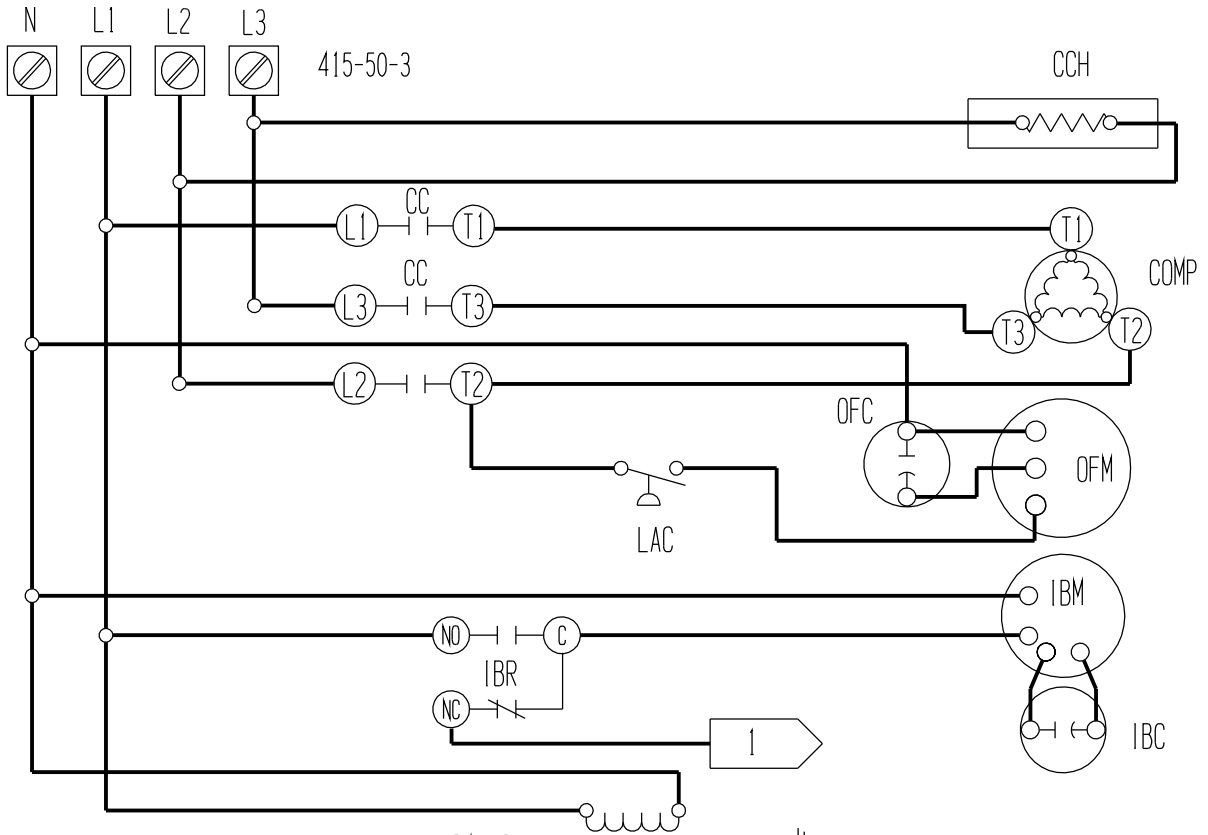


USE CLASS 1 WIRING FOR ALL CONNECTIONS TO THE LOW VOLTAGE TERMINAL BLOCK.
ALARM RELAY CONTACT RATINGS
125VA @24VAC.

COMPONENT CODE	
CC	COMPRESSOR CONTACTOR
CCH	COMPRESSOR CRANKCASE HEATER
COMP	COMPRESSOR
GND	EQUIPMENT GROUND
H1	HEAT STRIP #1
H2	HEAT STRIP #2
HC1	HEATER CONTACTOR #1
HC2	HEATER CONTACTOR #2
HPC	HIGH PRESSURE CONTROL
IBC	INDOOR BLOWER CAPACITOR
IBM	INDOOR BLOWER MOTOR
IBR	INDOOR BLOWER RELAY
LAC	LOW AMBIENT CONTROL
LOR	LOCK OUT RELAY
LPB	LOW PRESSURE BYPASS
LPC	LOW PRESSURE CONTROL
LS	LIMIT SWITCH
OFC	OUTDOOR FAN CAPACITOR
OFM	OUTDOOR FAN MOTOR
OFR	OUTDOOR FAN RELAY
PD	PULL DISCONNECT
PL1	PLUG #1
T	TRANSFORMER
TB	TERMINAL BLOCK
TBL	LOW VOLTAGE TERMINAL BLOCK
TCO	THERMAL CUTOFF
TDR	TIME DELAY RELAY



A **B** **E** LABELED WIRES CONNECT IF NO OPTIONS USED. **Δ** MOVE RED WIRE TO 208V TAP FOR 380V OPERATION **△** RED (LOW) BLACK (HIGH) **F** (BLACK) HIGH SPEED TAP NOT TO BE USED ON 50HZ MODELS

	FACTORY STD.	FIELD	OPTIONAL	COLOR CODE							
HIGH VOLTAGE	————	-----	-----	BK	BLACK	Y	YELLOW	V	VIOLET	T	TAN
LOW VOLTAGE	————	-----	-----	BR	BROWN	G	GREEN	(PR)	PURPLE	PK	PINK
ACCESSORY	————	-----	-----	R	RED	BL	BLUE	GY	GRAY	L	LAVENDER
				O	ORANGE	W	WHITE	(S)	SLATE		

BARD MFG. CO.
4095-615 B