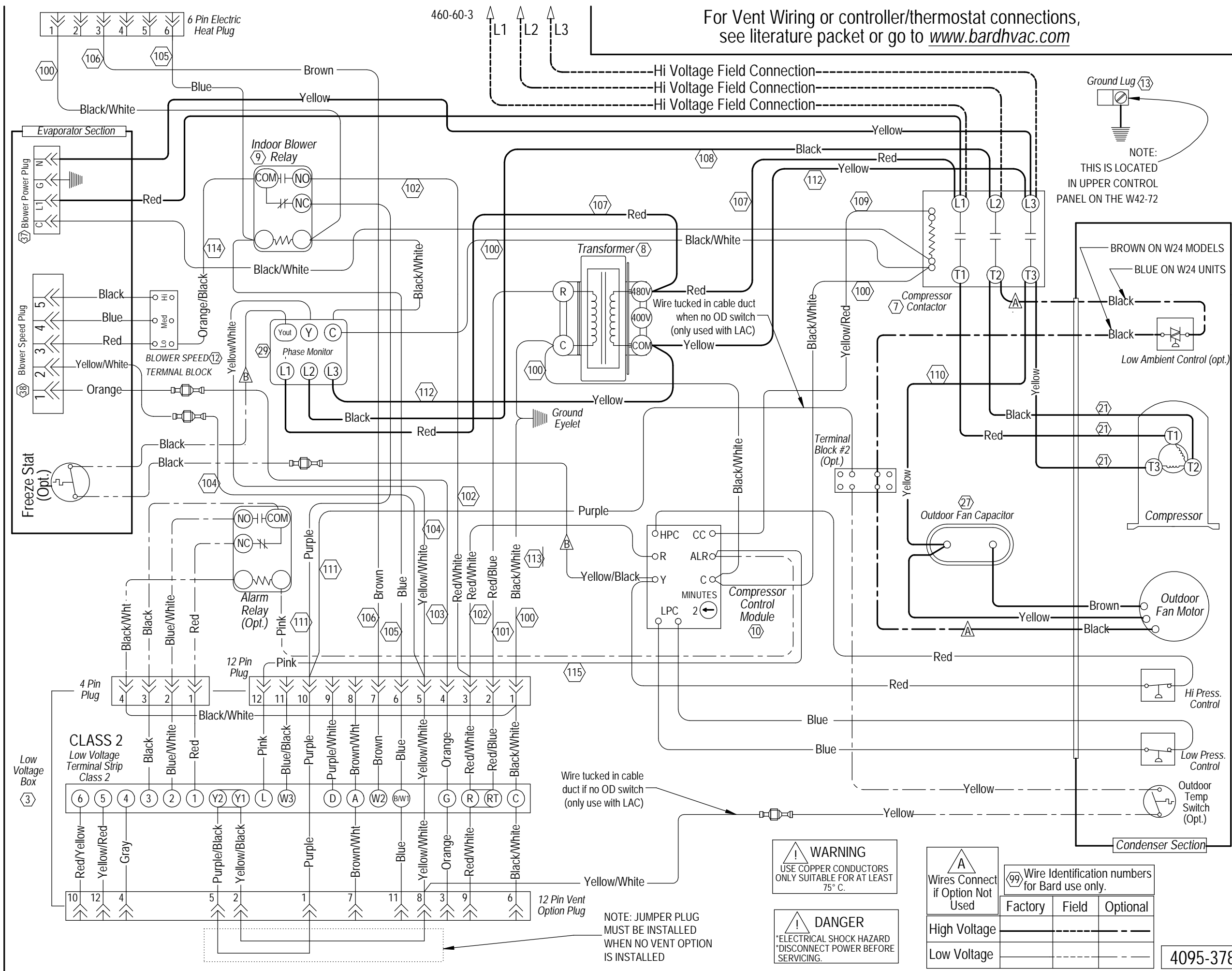


For Vent Wiring or controller/thermostat connections, see literature packet or go to www.bardhvac.com



Wire tucked in cable duct when no OD switch (only use with LAC)

NOTE: JUMPER PLUG MUST BE INSTALLED WHEN NO VENT OPTION IS INSTALLED

WARNING
USE COPPER CONDUCTORS ONLY SUITABLE FOR AT LEAST 75° C.

DANGER
*ELECTRICAL SHOCK HAZARD
*DISCONNECT POWER BEFORE SERVICING.

Wires Connect if Option Not Used

	Wire Identification numbers for Bard use only.		
	Factory	Field	Optional
High Voltage			
Low Voltage			

4095-378 F