

Indoor Fan Capacitor
 Brown
 Blue
 Red
 Orange
 For Low and Med. speeds connect Orange to Black, Red (Low) or Blue (Med) to Term. 4 of I. B. Relay. For High speed tape Orange, Red, and Blue leads separately. Connect Black to Term. 4 of I. B. Relay.

Indoor Blower Relay
 2
 3
 1

Phase Monitor
 L3 L2 L1
 C Y Yout

Transformer
 R
 C
 COM
 460V

Compressor Control Module
 HPC CC
 R ALRO
 Y CO
 MINUTES
 LPC

Alarm Relay (Opt.)
 4
 2
 1
 5
 3

Compressor Contactor
 L1 L2 L3
 T1 T2 T3

Compressor
 L1
 L3
 L2

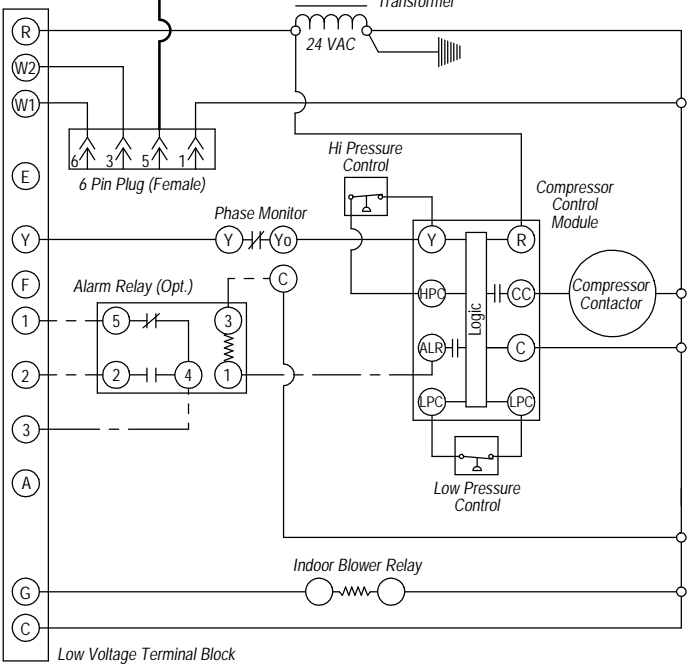
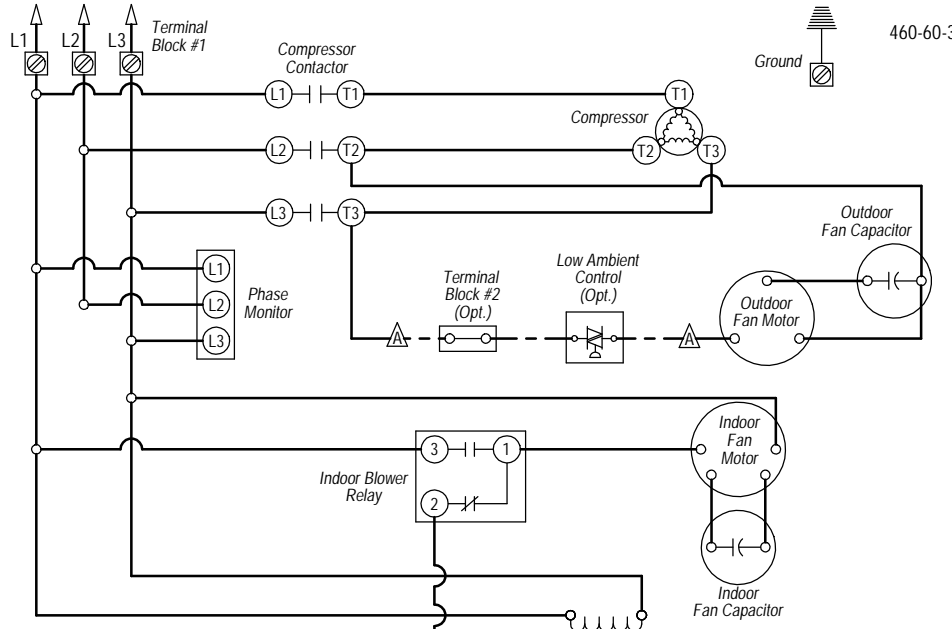
Terminal Block #2 (Opt.)

Outdoor Fan Capacitor
 Yellow

Outdoor Fan Motor
 Red (50 hz only) (Low),
 Black (High) where applicable

Control Panel

Condenser Section



<p>A Wires Connect if Option Not Used</p>	<p>99 Wire Identification numbers for Bard use only.</p>		
	Factory	Field	Optional
High Voltage			
Low Voltage			

WARNING
 USE COPPER CONDUCTORS
 ONLY SUITABLE FOR AT LEAST
 75° C.

DANGER
 ELECTRICAL SHOCK HAZARD
 DISCONNECT POWER BEFORE
 SERVICING.