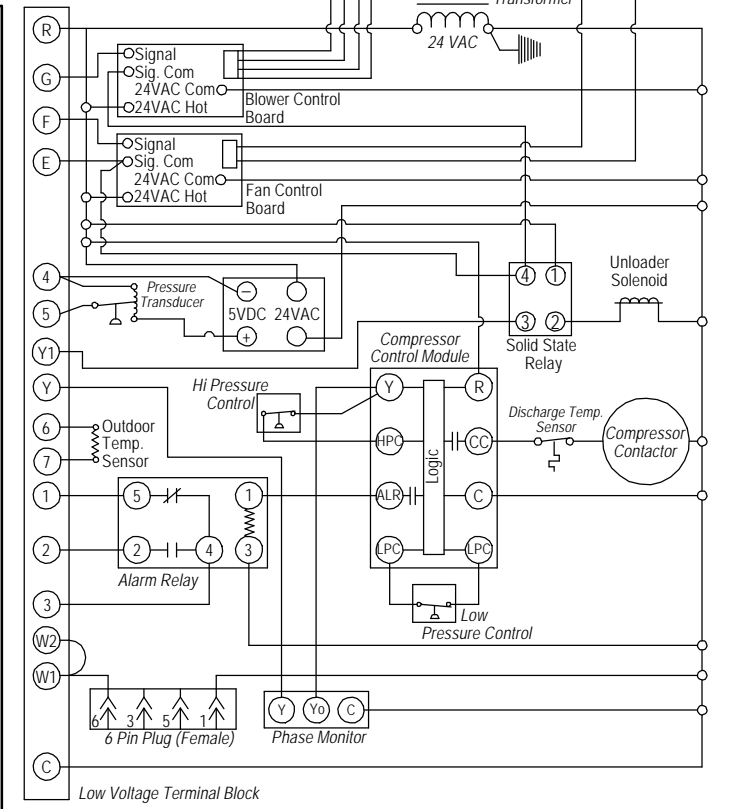


NOTE: BARD 8403-064 CONTROLLER MUST BE USED WITH THESE UNITS. A THERMOSTAT WILL NOT WORK.



Wires Connect if Option Not Used	99 Wire Identification numbers for Bard use only.		
	Factory	Field	Optional
High Voltage	-----	-----	-----
Low Voltage	-----	-----	-----

WARNING
USE COPPER CONDUCTORS ONLY SUITABLE FOR AT LEAST 75° C.

DANGER
ELECTRICAL SHOCK HAZARD DISCONNECT POWER BEFORE SERVICING.

Bard
SINCE 1914

Bard Mfg. Co.
Bryan, Ohio
4095-354 B