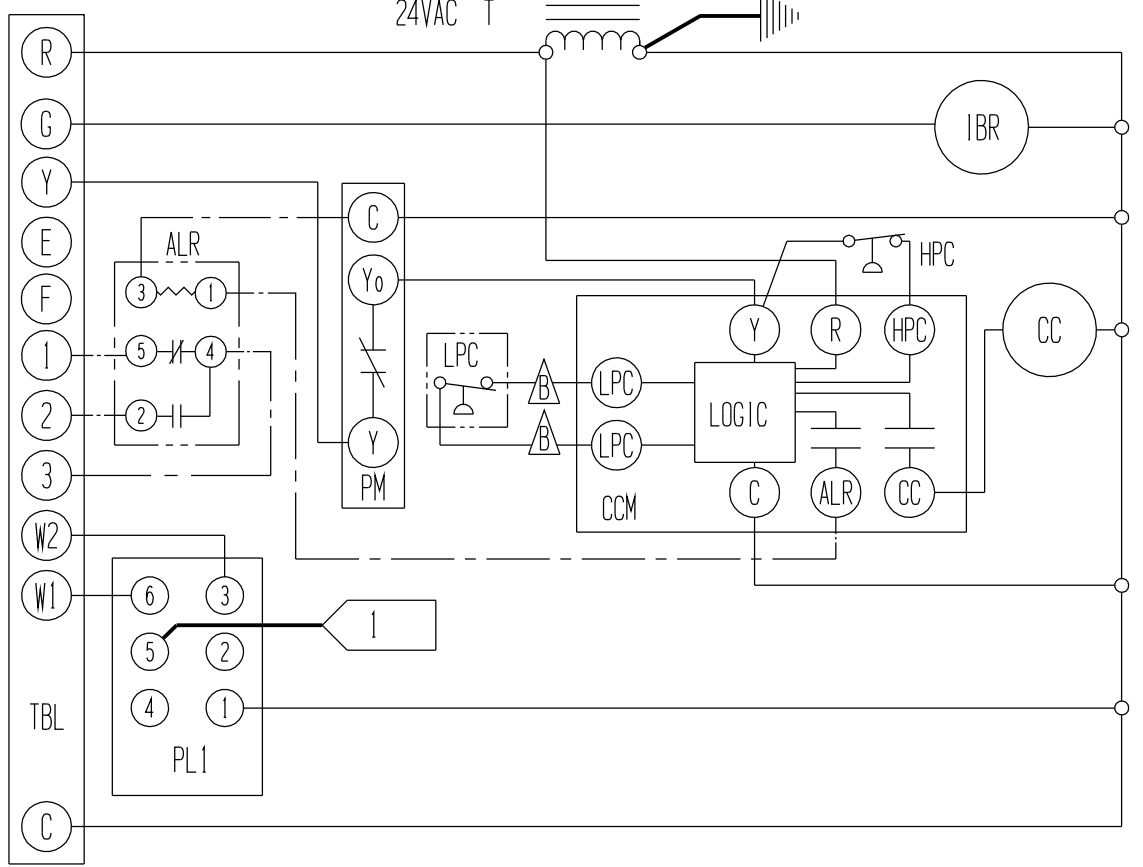
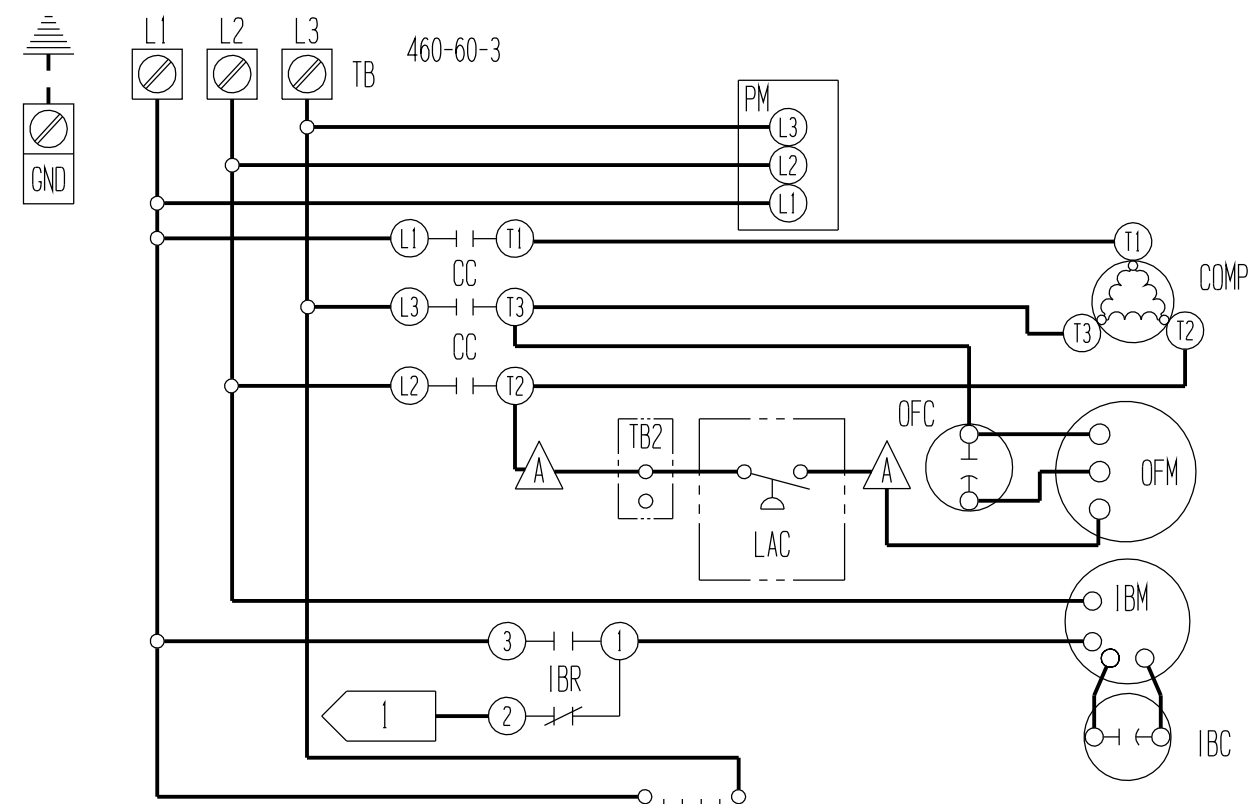


USE COPPER CONDUCTORS ONLY SUITABLE FOR AT LEAST 75° C

SET SWITCH TO LINE FREQUENCY



| COMPONENT CODE |                           |         |                            |
|----------------|---------------------------|---------|----------------------------|
| ALR            | ALARM RELAY               | IBR     | INDOOR BLOWER RELAY        |
| CB1            | CIRCUIT BREAKER #1        | LAC     | LOW AMBIENT CONTROL        |
| CB2            | CIRCUIT BREAKER #2        | LPC     | LOW PRESSURE CONTROL       |
| CC             | COMPRESSOR CONTACTOR      | LS      | LIMIT SWITCH               |
| CCM            | COMPRESSOR CONTROL MODULE | OFC     | OUTDOOR FAN CAPACITOR      |
| COMP           | COMPRESSOR                | OFM     | OUTDOOR FAN MOTOR          |
| GND            | EQUIPMENT GROUND          | PL1     | PLUG #1                    |
| H1             | HEAT STRIP #1             | PM      | PHASE MONITOR              |
| H2             | HEAT STRIP #2             | T       | TRANSFORMER                |
| HC1            | HEATER CONTACTOR #1       | TB, TB2 | TERMINAL BLOCK             |
| HC2            | HEATER CONTACTOR #2       | TBL     | LOW VOLTAGE TERMINAL BLOCK |
| HPC            | HIGH PRESSURE CONTROL     | TCO     | THERMAL CUTOFF             |
| IBC            | INDOOR BLOWER CAPACITOR   |         |                            |
| IBM            | INDOOR BLOWER MOTOR       |         |                            |

▲, ▲ Labeled wires connect if no options used. ▲ FOR LOW & MEDIUM SPEEDS CONNECT ORANGE TO BLACK. RED (LOW) OR BLUE (MEDIUM) TO T1 OF IBR. ▲ RED (LOW) BLACK (HIGH) WERE APPLICABLE

| HIGH VOLTAGE | FACTORY STD. | FIELD | OPTIONAL | COLOR CODE |    |   |   |   |   |    |   |        |    |     |   |    |   |     |      |
|--------------|--------------|-------|----------|------------|----|---|---|---|---|----|---|--------|----|-----|---|----|---|-----|------|
|              |              |       |          | BK         | BR | R | O | Y | G | BL | W | V (PR) | GY | (S) | T | PK | L | TAN | PINK |
|              | ————         | ----- | -----    |            |    |   |   |   |   |    |   |        |    |     |   |    |   |     |      |
|              | ————         | ----- | -----    |            |    |   |   |   |   |    |   |        |    |     |   |    |   |     |      |
|              | ————         | ----- | -----    |            |    |   |   |   |   |    |   |        |    |     |   |    |   |     |      |

**BARD MFG. CO.**  
4095-318 D