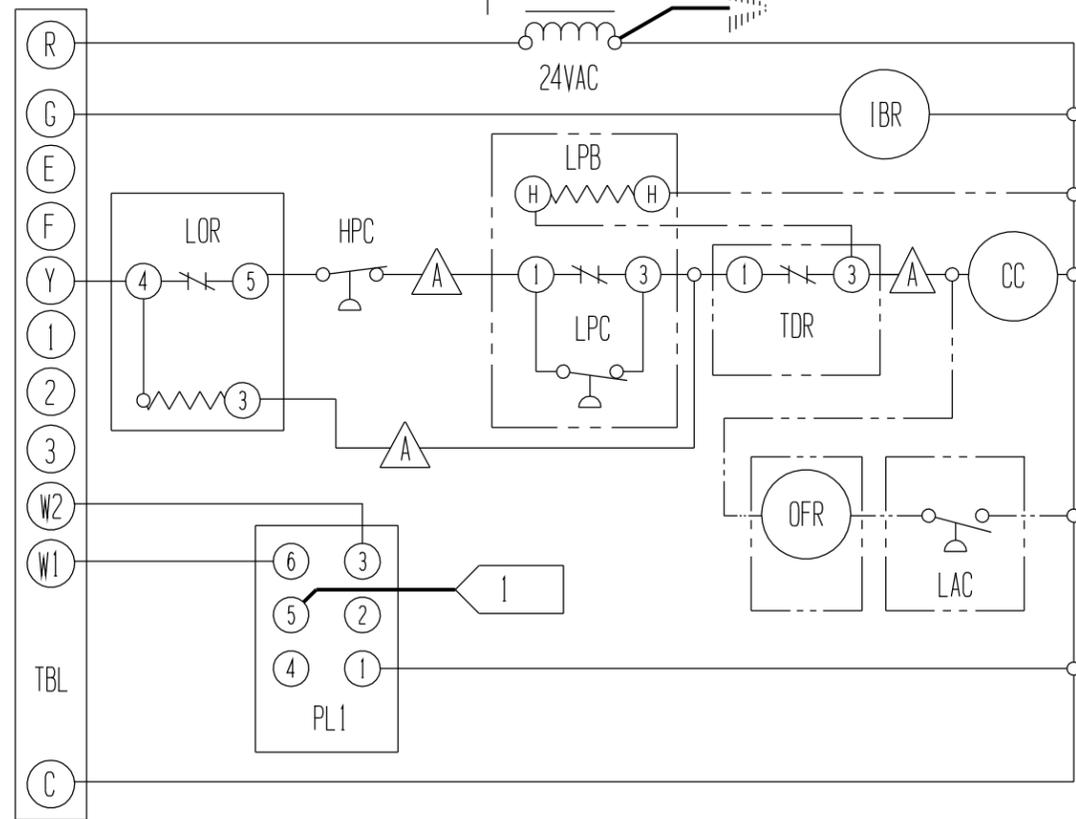
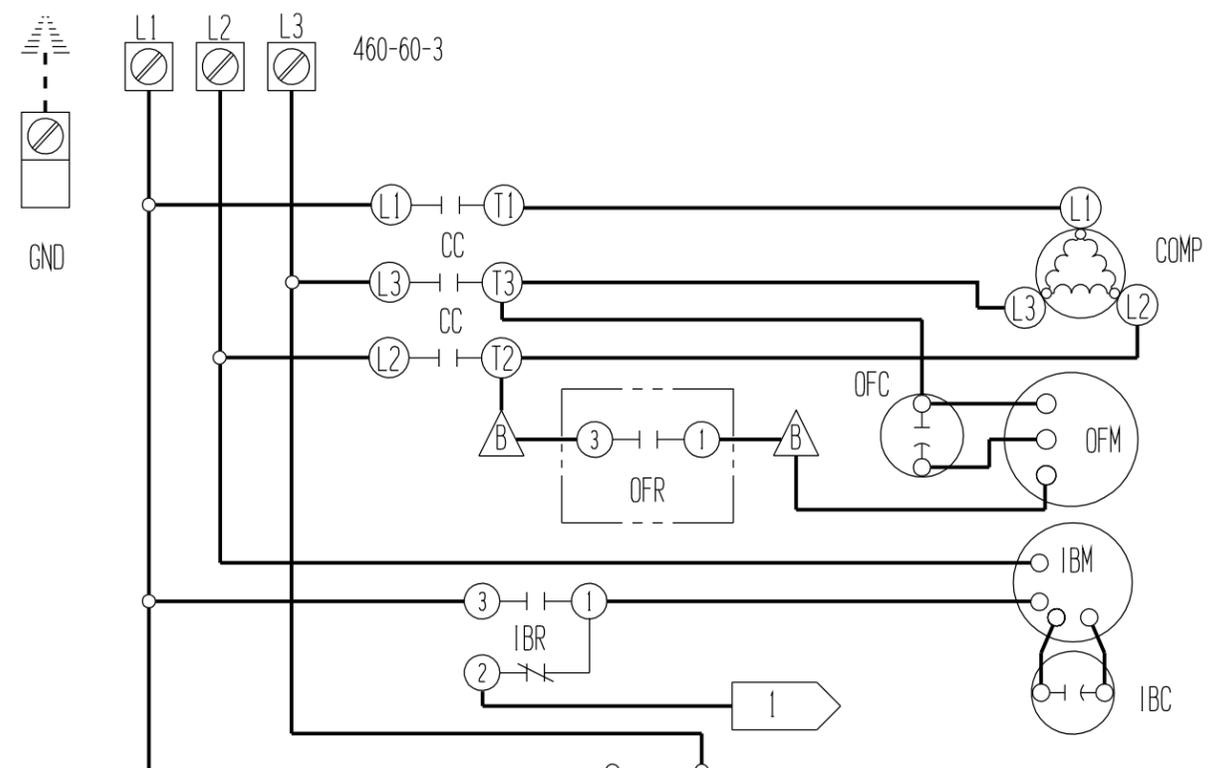


USE COPPER CONDUCTORS  
ONLY SUITABLE FOR AT  
LEAST 75° C



COMPONENT CODE			
CC	COMPRESSOR CONTACTOR	LPB	LOW PRESSURE BYPASS
COMP	COMPRESSOR	LPC	LOW PRESSURE CONTROL
GND	EQUIPMENT GROUND	LS	LIMIT SWITCH
H1	HEAT STRIP #1	OFC	OUTDOOR FAN CAPACITOR
H2	HEAT STRIP #2	OFM	OUTDOOR FAN MOTOR
HC1	HEATER CONTACTOR #1	OFR	OUTDOOR FAN RELAY
HC2	HEATER CONTACTOR #2	PD	PULL DISCONNECT
HPC	HIGH PRESSURE CONTROL	PL1	PLUG #1
IBC	INDOOR BLOWER CAPACITOR	T	TRANSFORMER
IBM	INDOOR BLOWER MOTOR	TB	TERMINAL BLOCK
IBR	INDOOR BLOWER RELAY	TBL	LOW VOLTAGE TERMINAL BLOCK
LAC	LOW AMBIENT CONTROL	TCO	THERMAL CUTOFF
LOR	LOCK OUT RELAY	TDR	TIME DELAY RELAY

LABELED WIRES CONNECT IF NO OPTIONS USED.		FOR LOW SPEED CONNECT BLACK AND ORANGE WIRES TOGETHER AND INSULATE. CONNECT RED WIRE TO TERMINAL 1 OF IBR									
		COLOR CODE				BARD MFG. CO.					
HIGH VOLTAGE	FACTORY STD.	FIELD	OPTIONAL	BK	BLACK		Y	YELLOW	V	VIOLET	T
LOW VOLTAGE	—————	-----	-----	BR	BROWN	G	GREEN	(PR)	PURPLE	PK	PINK
ACCESSORY	-----	-----	-----	R	RED	BL	BLUE	GY	GRAY	L	LAVENDER
				O	ORANGE	W	WHITE	(S)	SLATE		
						4095-312 B					