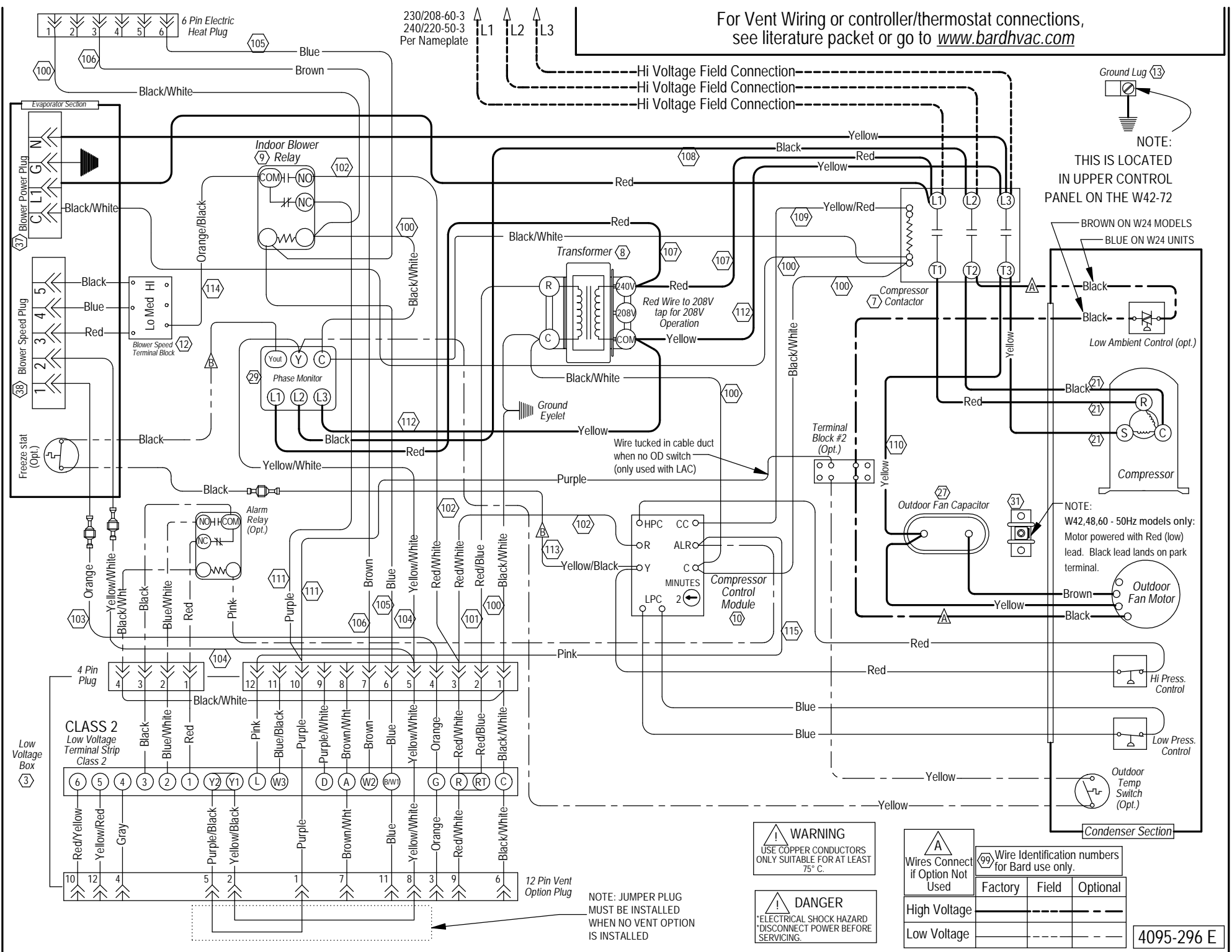


For Vent Wiring or controller/thermostat connections, see literature packet or go to www.bardhvac.com

230/208-60-3
240/220-50-3
Per Nameplate



NOTE:
THIS IS LOCATED
IN UPPER CONTROL
PANEL ON THE W42-72

BROWN ON W24 MODELS
BLUE ON W24 UNITS

Low Ambient Control (opt.)

Compressor

NOTE:
W42,48,60 - 50Hz models only:
Motor powered with Red (low)
lead. Black lead lands on park
terminal.

Outdoor Fan Motor

Hi Press. Control

Low Press. Control

Outdoor Temp Switch (Opt.)

Condenser Section

NOTE: JUMPER PLUG
MUST BE INSTALLED
WHEN NO VENT OPTION
IS INSTALLED

WARNING
USE COPPER CONDUCTORS
ONLY SUITABLE FOR AT LEAST
75° C.

DANGER
ELECTRICAL SHOCK HAZARD
DISCONNECT POWER BEFORE
SERVICING.

A
Wires Connect
if Option Not
Used

High Voltage	-----	-----	-----
Low Voltage	-----	-----	-----

Wire Identification numbers
for Bard use only.

	Factory	Field	Optional
High Voltage	-----	-----	-----
Low Voltage	-----	-----	-----

4095-296 E