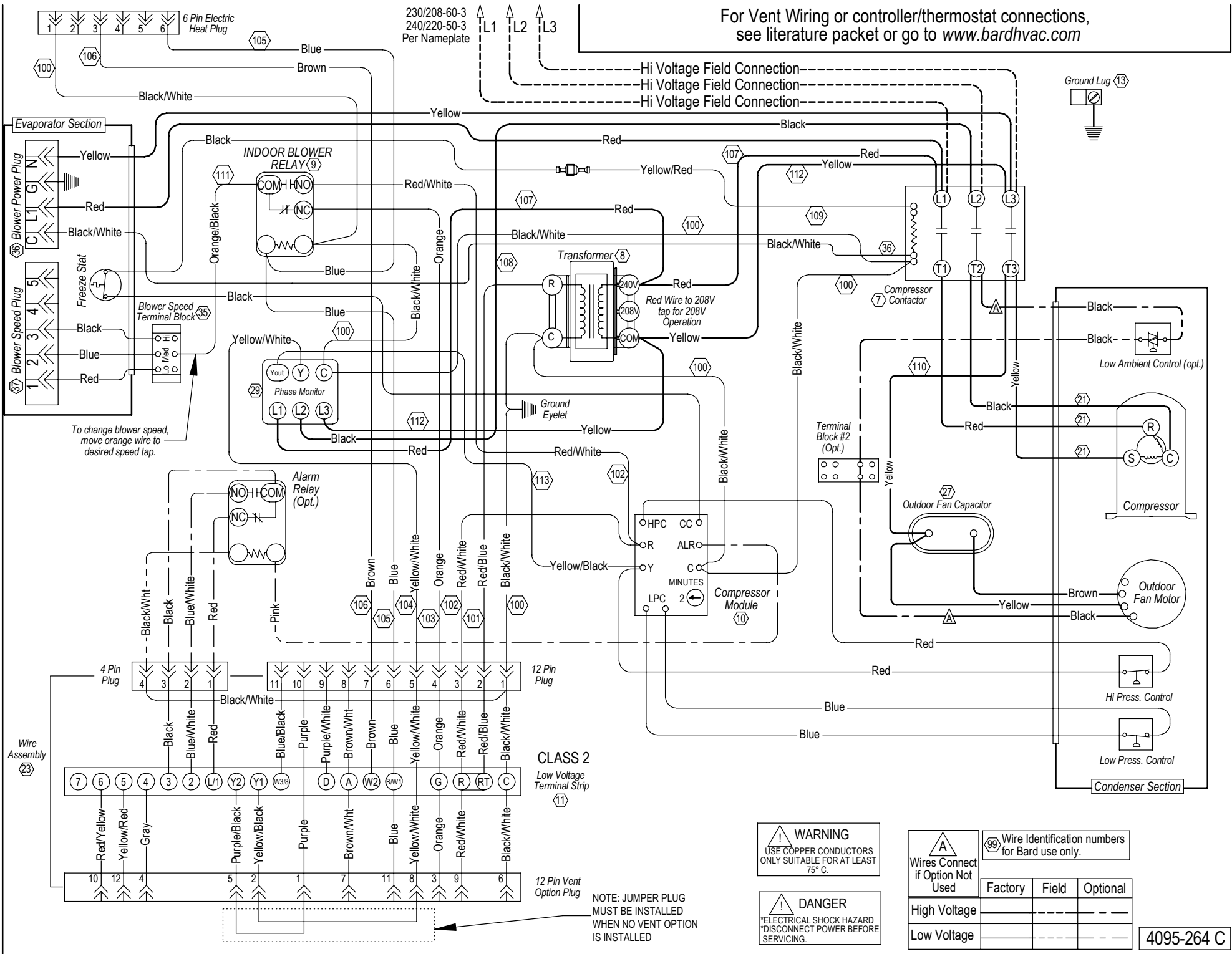


For Vent Wiring or controller/thermostat connections,
see literature packet or go to www.bardhvac.com



230/208-60-3
240/220-50-3
Per Nameplate

Ground Lug (13)

6 Pin Electric Heat Plug

Evaporator Section

INDOOR BLOWER RELAY (9)

Transformer (8)

Phase Monitor

Alarm Relay (Opt.)

Compressor Module (10)

Compressor Contactor (7)

Outdoor Fan Capacitor (27)

Low Ambient Control (opt.)

Compressor

Outdoor Fan Motor

Hi Press. Control

Low Press. Control

Condenser Section

To change blower speed, move orange wire to desired speed tap.

CLASS 2
Low Voltage Terminal Strip (11)

NOTE: JUMPER PLUG MUST BE INSTALLED WHEN NO VENT OPTION IS INSTALLED

WARNING
USE COPPER CONDUCTORS ONLY SUITABLE FOR AT LEAST 75° C.

DANGER
ELECTRICAL SHOCK HAZARD DISCONNECT POWER BEFORE SERVICING.

A
Wires Connect if Option Not Used

High Voltage			
Low Voltage			

Wire Identification numbers for Bard use only.

	Factory	Field	Optional
High Voltage			
Low Voltage			

4095-264 C